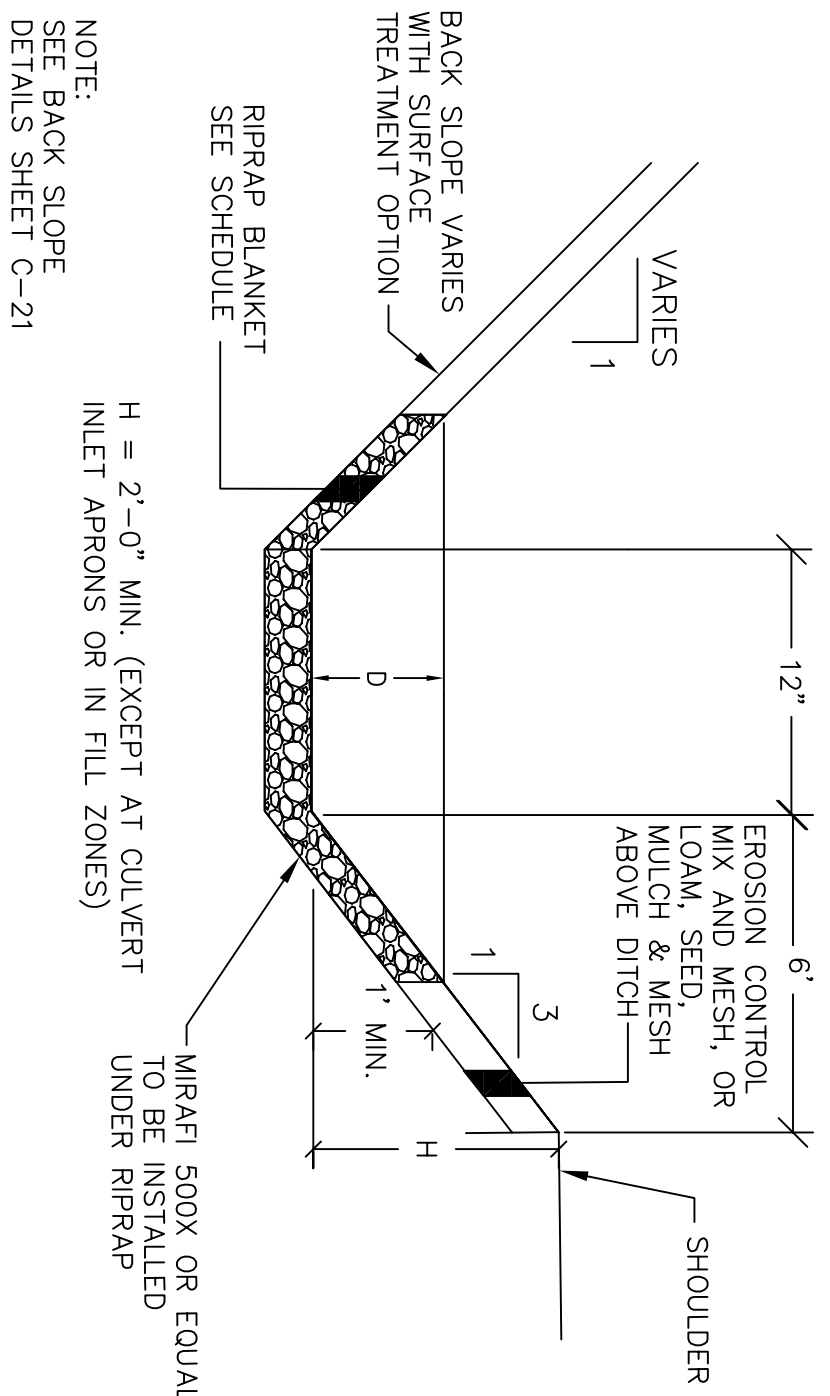


PRELIMINARY NOT FOR CONSTRUCTION



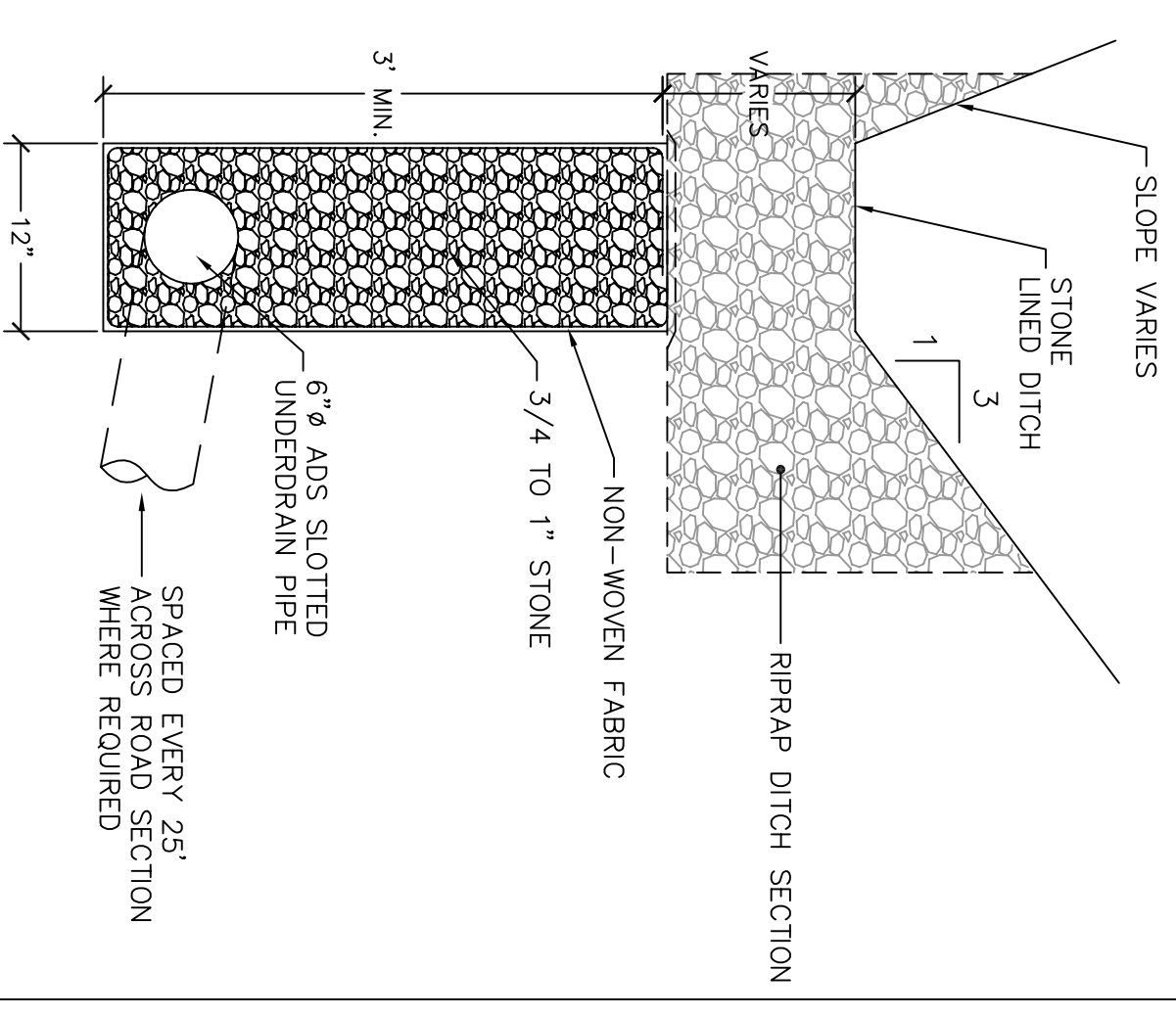
UPHILL DITCH DETAIL
N.T.S. (A) C-22

TABLE 2
ACCEPTABLE DITCH LINING RIPRAP MATERIAL SIZE, DEPTH & THICKNESS

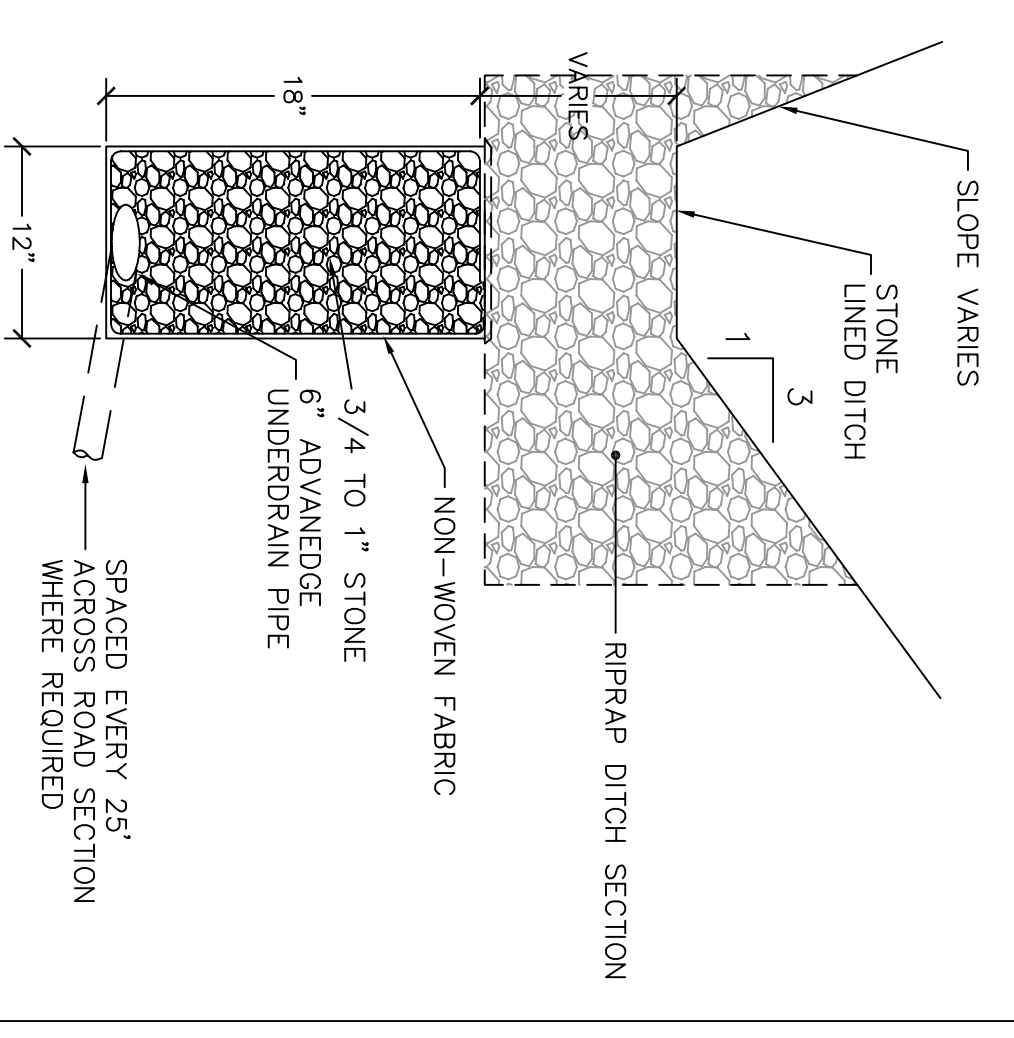
CULVERT SIZE BELOW DITCH	DITCH GRADIENT 0-5%	DITCH GRADIENT 5-10%	DITCH GRADIENT 10-15%
12"	11"	3"	7"
18"	15"	3"	6"
24"	19"	6"	14"
30"	24"	6"	14"
36"	24"	6"	14"

NOTE: IF 15" CULVERTS ARE USED THEY WILL MATCH RIPRAP REQUIREMENTS FOR THE 18" CULVERTS

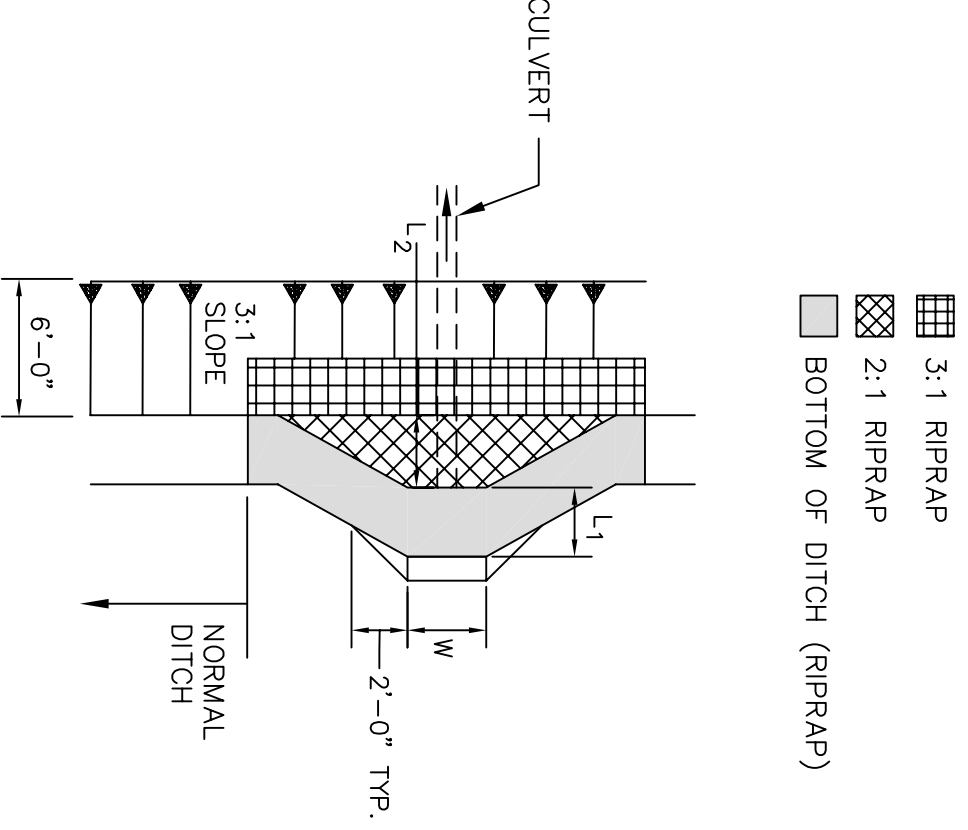
UPHILL DITCH TREATMENT OPTIONS
N.T.S.



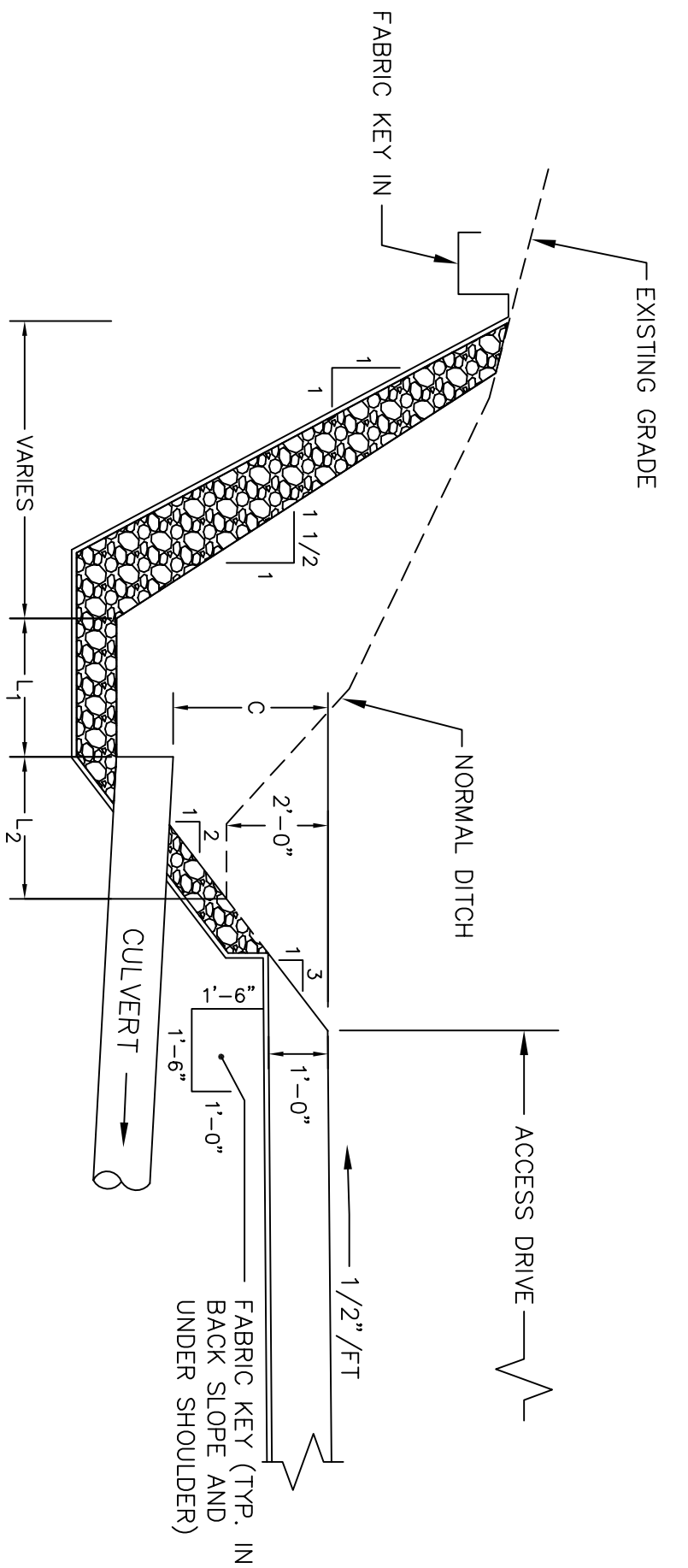
DITCH WITH 6" DIA UNDERDRAIN
N.T.S. (C) C-22



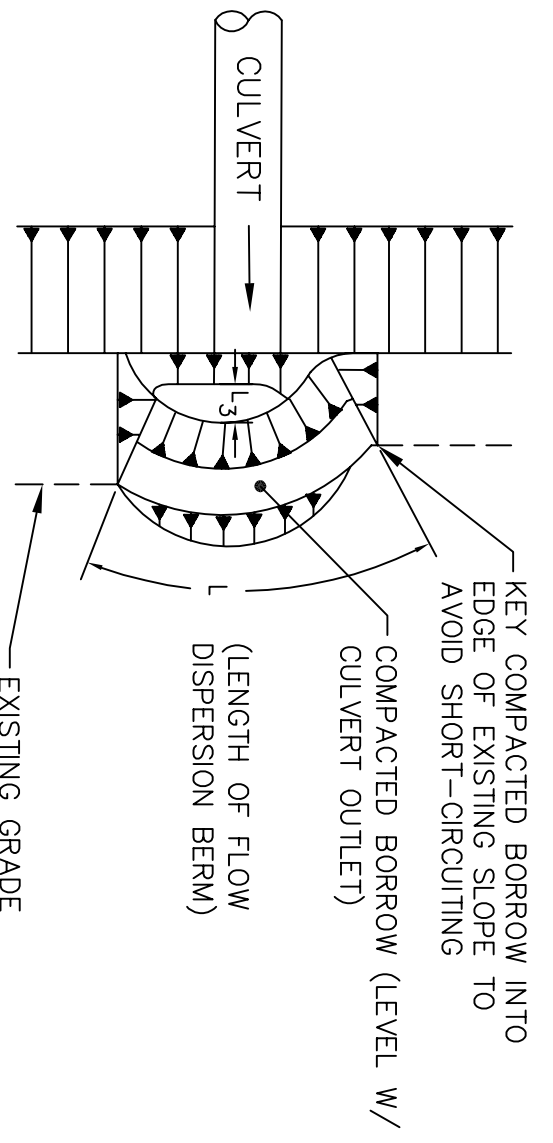
DITCH WITH 6" ADVANEDGE UNDERDRAIN
N.T.S. (F) C-22



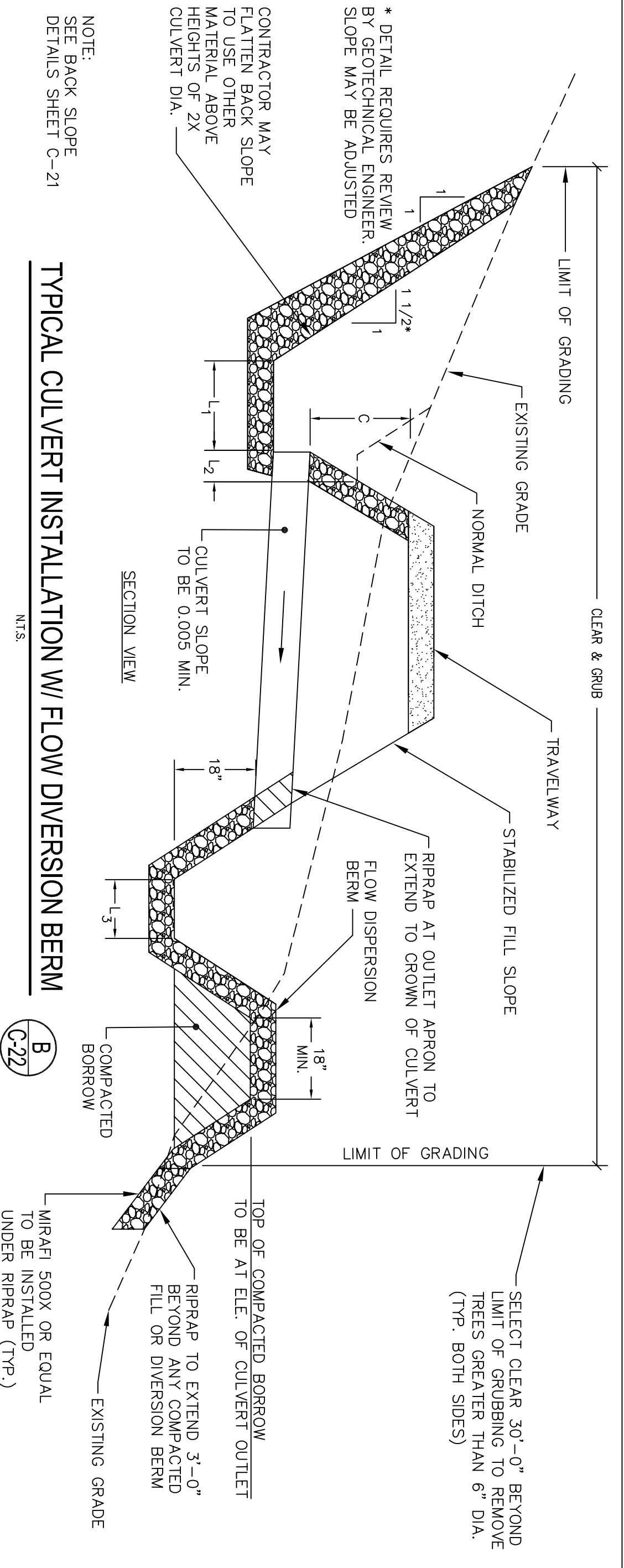
CULVERT INLET PLAN VIEW
N.T.S.



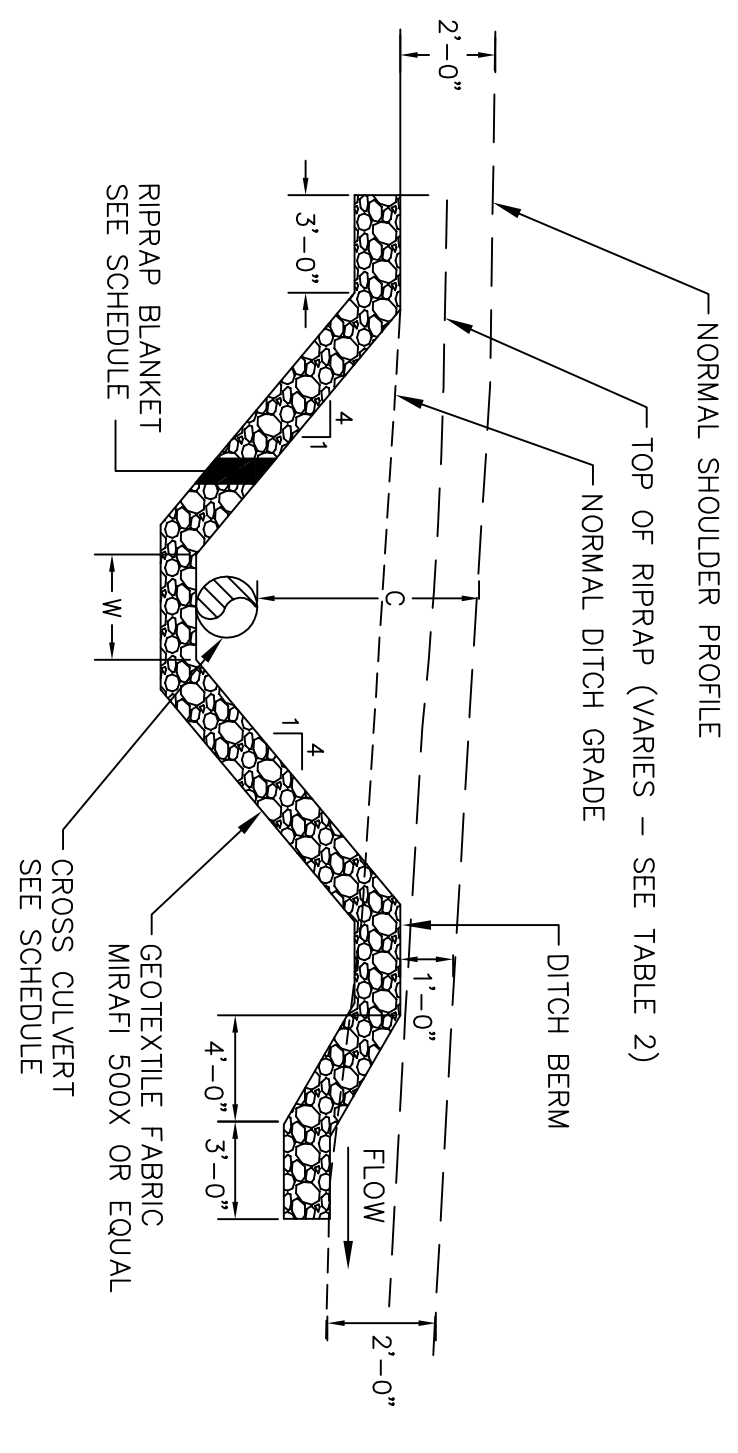
CULVERT INLET SECTION VIEW
N.T.S. (D) C-22



FLOW DISPERSION BERM PLAN VIEW
N.T.S. (G) C-22



TYPICAL CULVERT INSTALLATION W/ FLOW DIVERSION BERM
N.T.S. (B) C-22

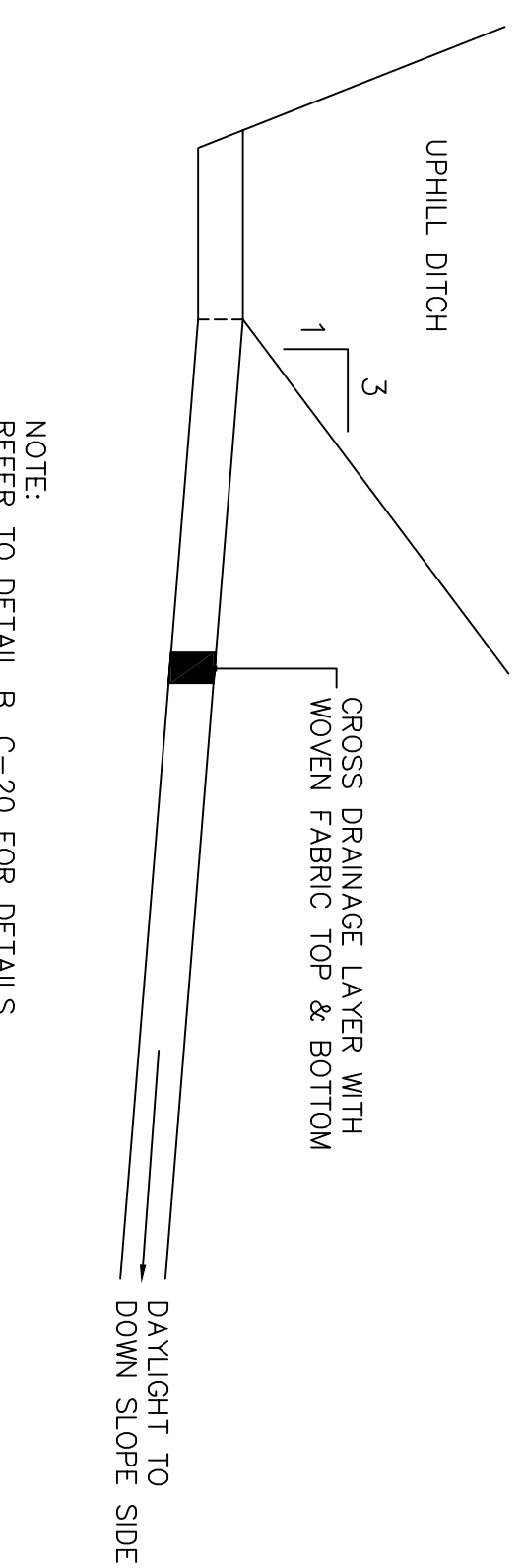


CULVERT INLET END SECTION VIEW W/ DOWN GRADIENT DITCH BERM
N.T.S. (E) C-22

DIMENSIONAL SCHEDULE FOR CULVERT INLETS AND FLOW DISPERSION BERMS

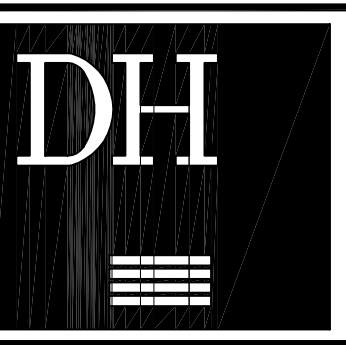
CULVERT DIAMETER	RIPPAP BLANKET D ₅₀ THICKNESS	W	C	L ₁	L ₂	L ₃	L
12"	6"	14"	2'	36"	2'	4'	8'
18"	6"	14"	4'	30"	4'	4'	8'
24"	6"	14"	6'	24"	6'	4'	8'
30"	12"	27"	8'	24"	8'	5'	8'
36"	12"	27"	8'	24"	8'	6'	8'

NOTE: IF 15" CULVERTS ARE USED THEY WILL MATCH RIPRAP REQUIREMENTS FOR THE 18" CULVERTS
*FLOW DISPERSION BERMS ARE NOT TO BE USED FOR CULVERTS LARGER THAN 18 INCHES.



DITCH CONNECTED TO CROSS DRAINAGE LAYER
N.T.S. (H) C-22

REDINGTON WIND FARM PROJECT
REDINGTON MOUNTAIN WINDPOWER, LLC



DeLuca-Hoffman Associates, Inc.
778 MAIN STREET, SUITE 8
SOUTH PORTLAND, ME 04106
207.775.1121
WWW.DHAI@DELUCAHOFFMAN.COM

DITCH DETAILS

DRAWN:	KEW/JCS	DATE:	AUGUST 2005
DESIGNED:	DDA	SCALE:	N.T.S.
CHECKED:	WGH	JOB NO.:	1708.06
FILE NAME:	1708.06-DET		

NO.	DATE	REVISIONS
6	05.22.06	REVISED TO ADDRESS REVIEWER COMMENTS
5	12.15.05	REVISED PROJECT TITLE
4	10.31.05	ADDED DETAIL NUMBER REFERENCES
3	08.23.05	UPDATED PER CLIENT COMMENTS
2	08.12.05	ISSUED TO CLIENT FOR REVIEW
1	12.05.03	SUBMITTED TO CLIENT.