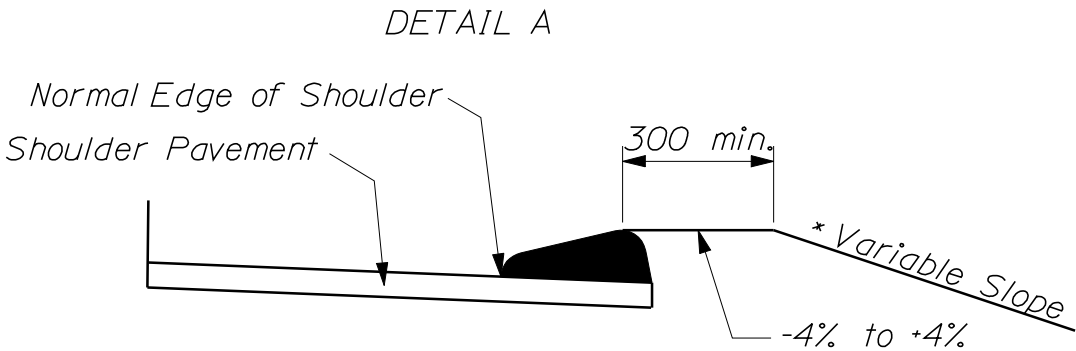


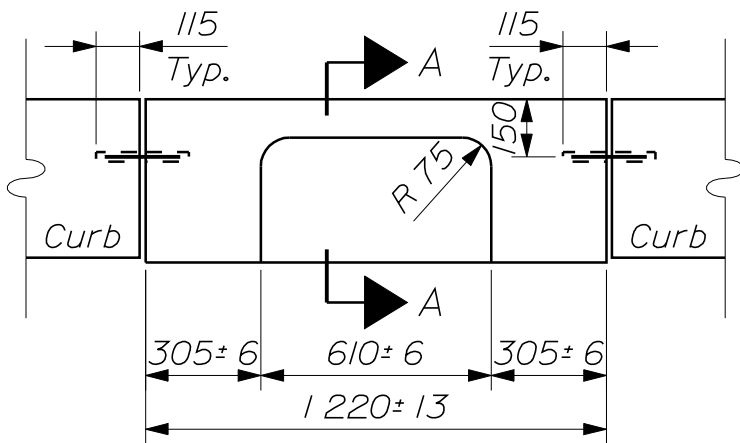
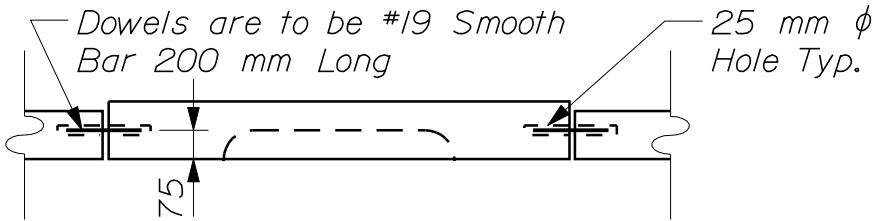
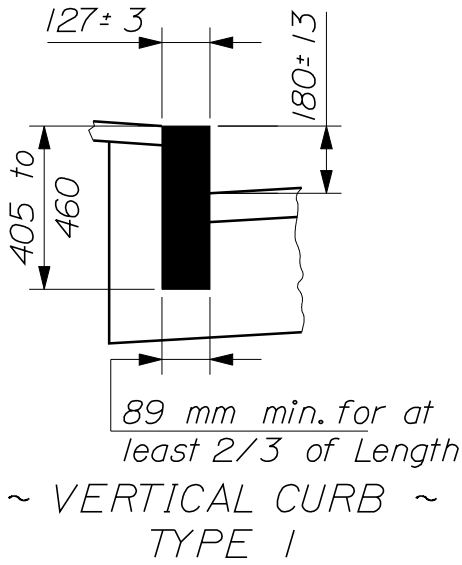
*Under Guardrail

~ CURB TYPE 3 ~

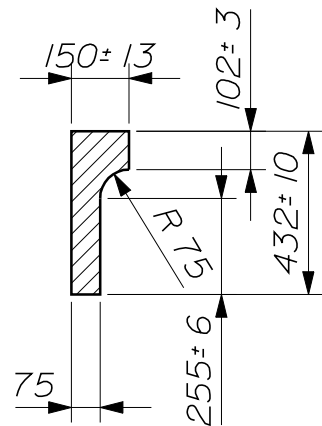
Curb Mold 2 or 3 shall be used in all situations except for where the curb forms the edge of the sidewalk. Mold 1 shall be used in conjunction with sidewalks or where there is a potential for sidewalks. Mold 3 shall be used in situations where the design speed exceeds 45 mph.



* See Typical Sections for Project



~ CURB INLET TYPE I ~



~ SECTION A-A ~