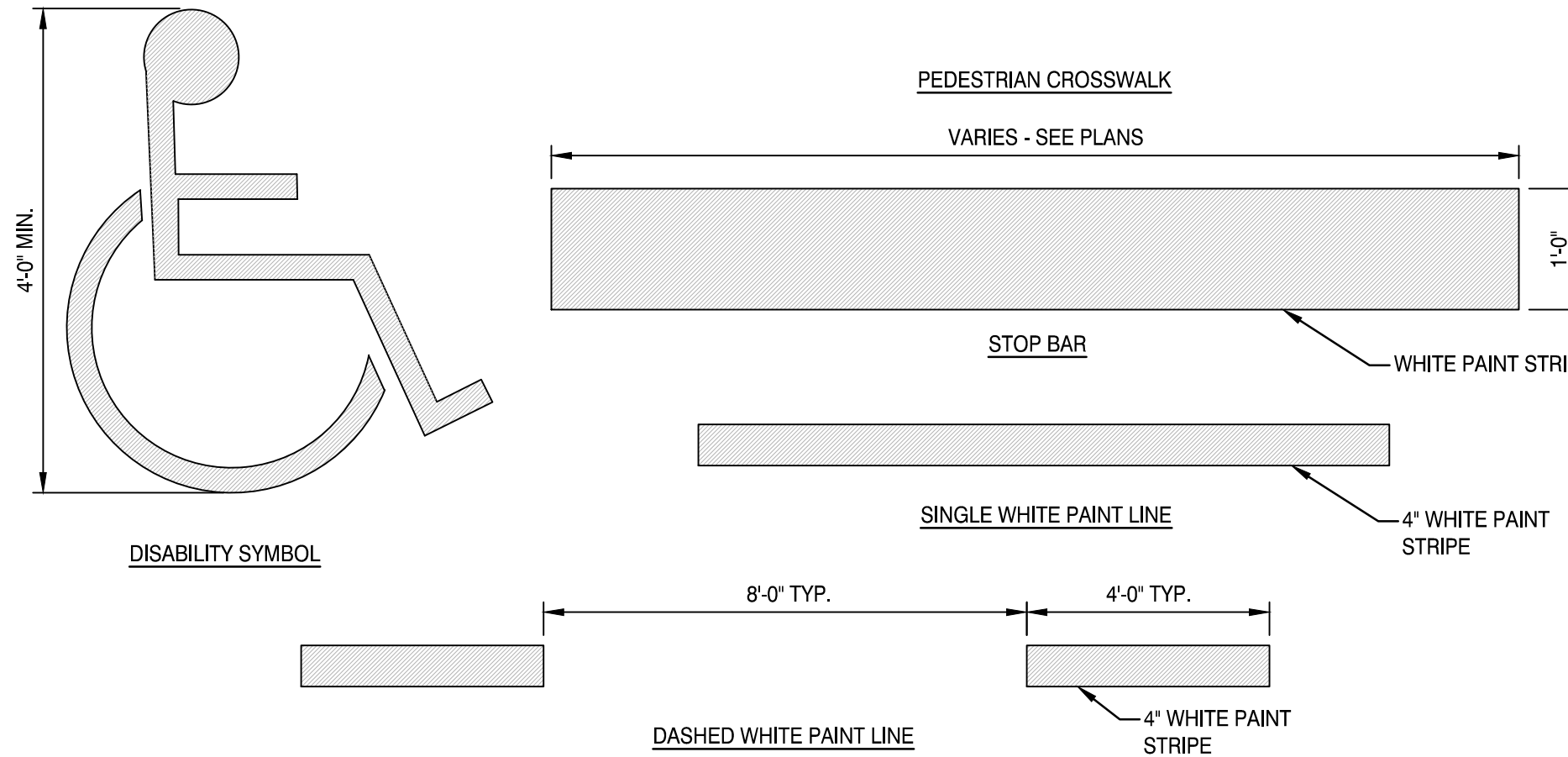
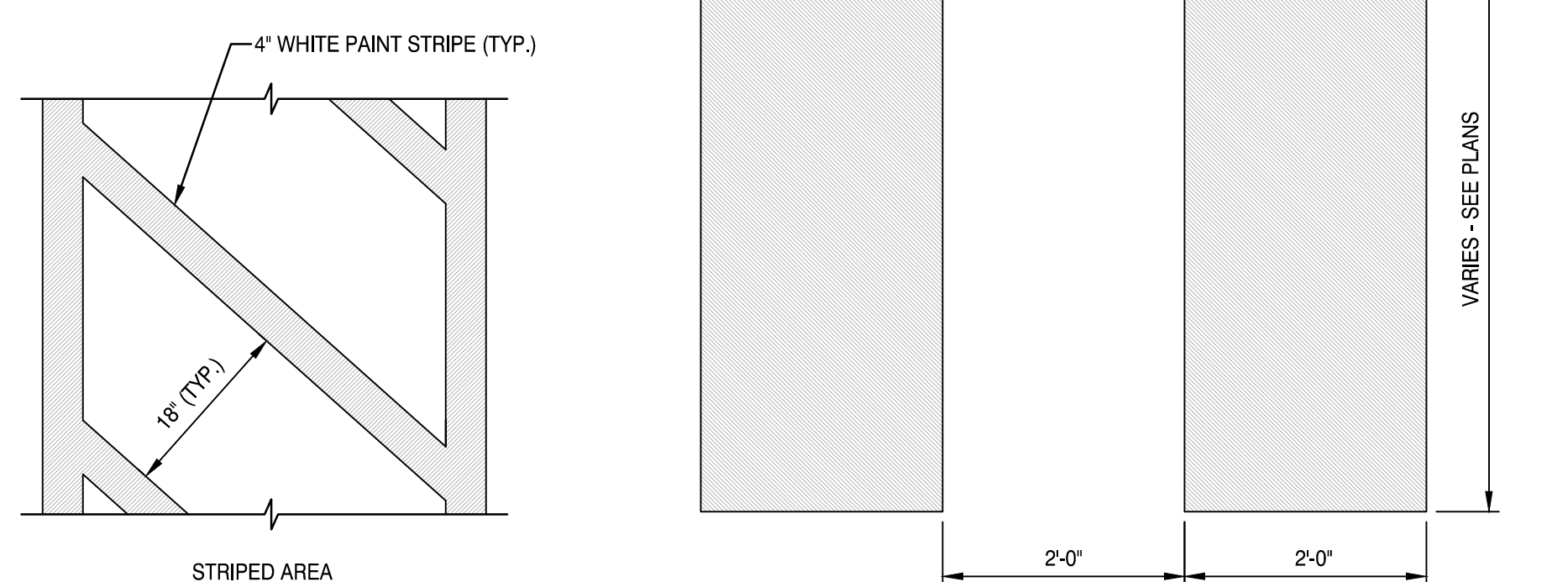
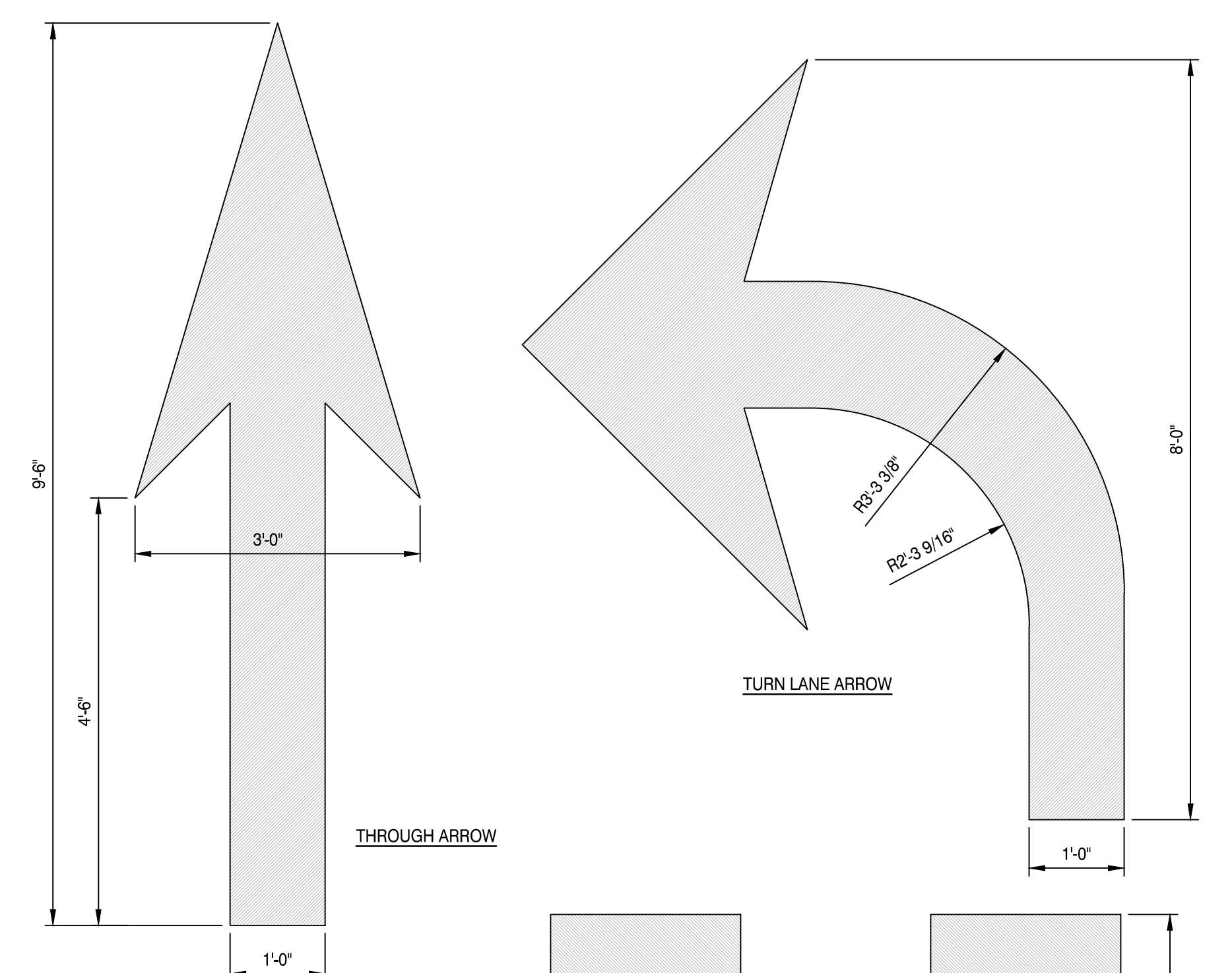
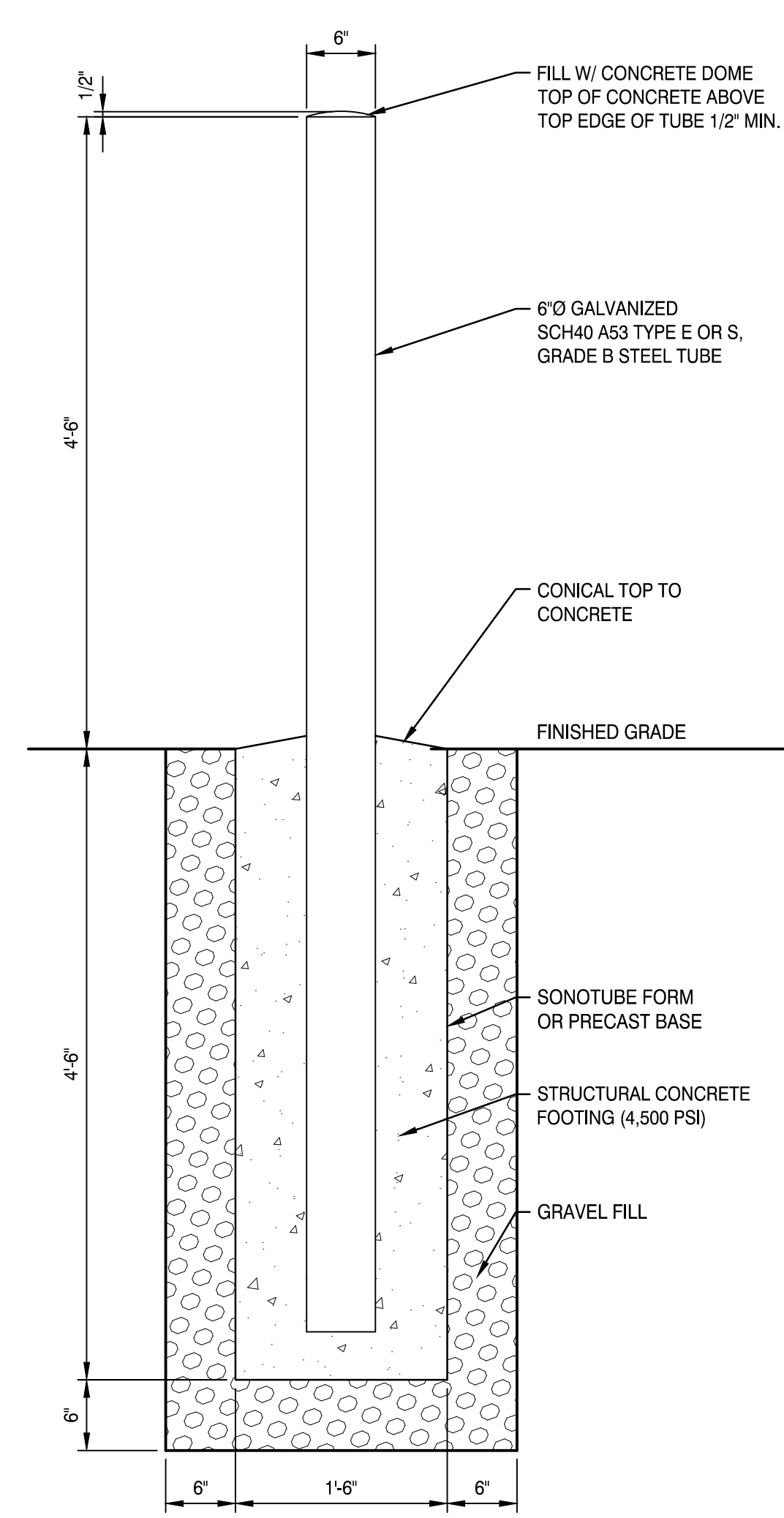


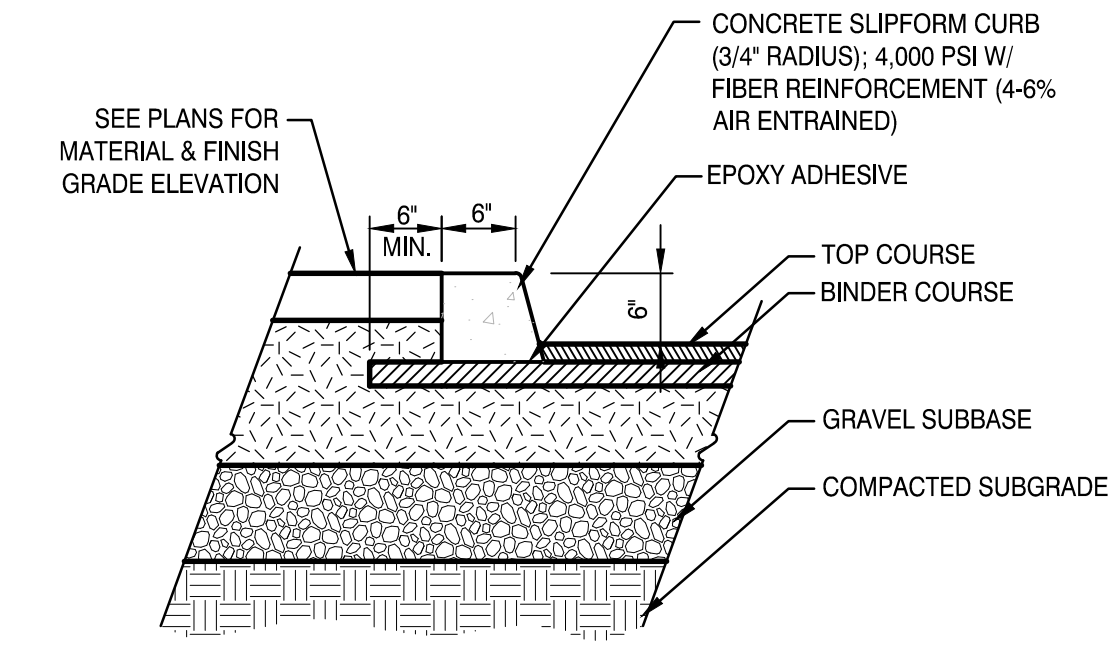
ROAD SECTION J1
NOT TO SCALE



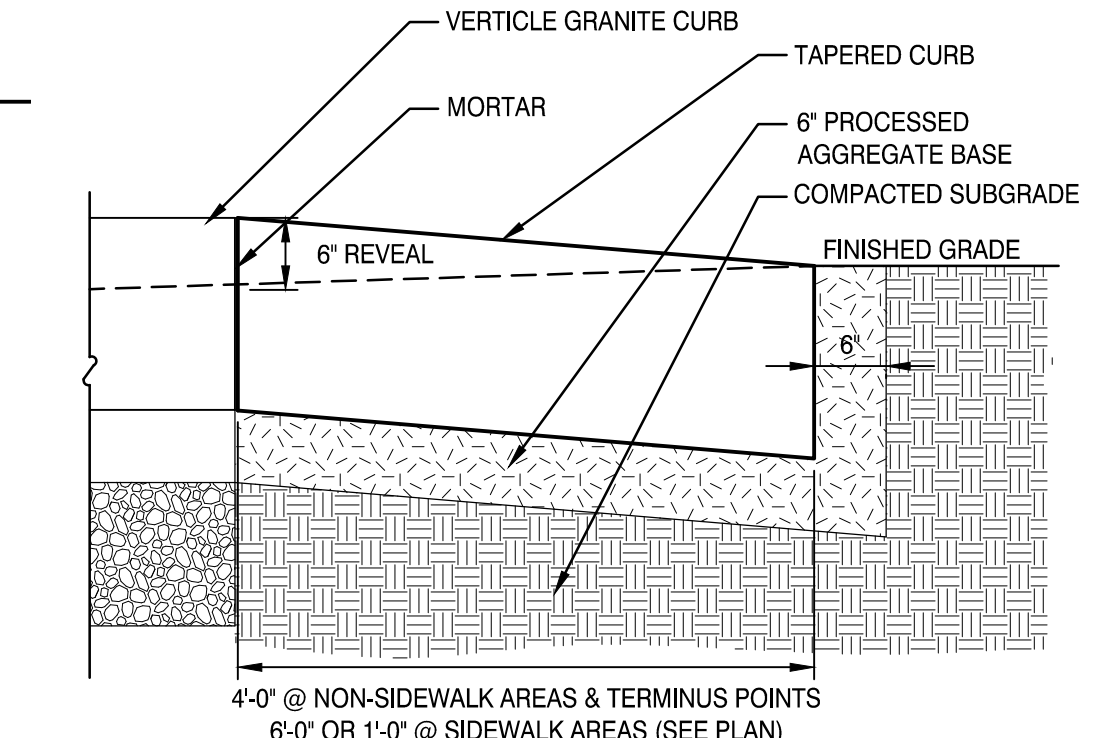
TYPICAL PAVEMENT MARKINGS A10
3/4\"/>



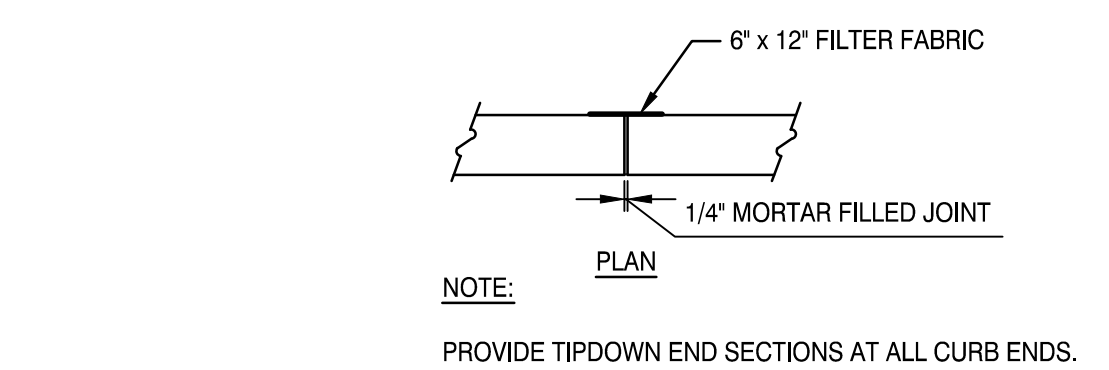
GRAVEL ACCESS DRIVE A8
3/4\"/>



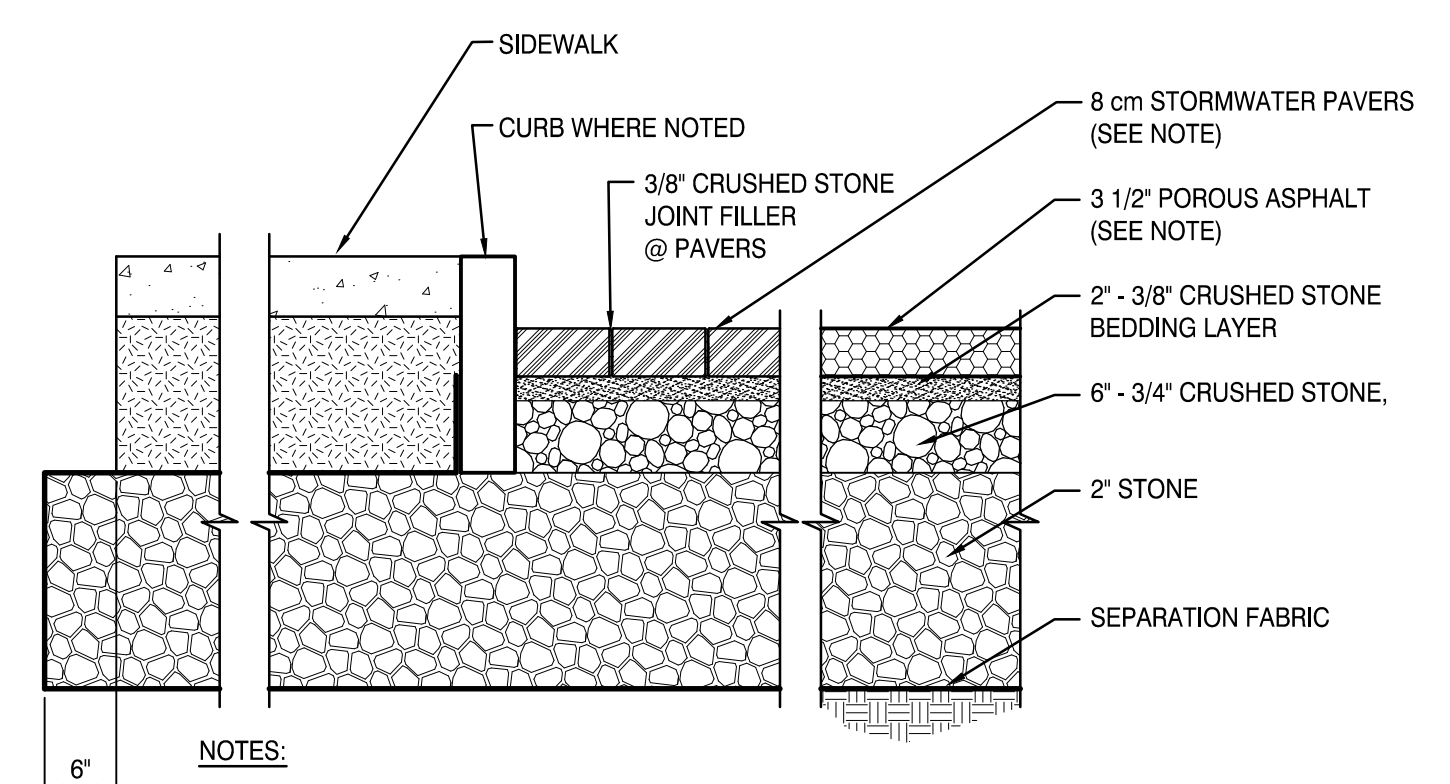
VERTICAL SLIPFORM CURB F5
3/4\"/>



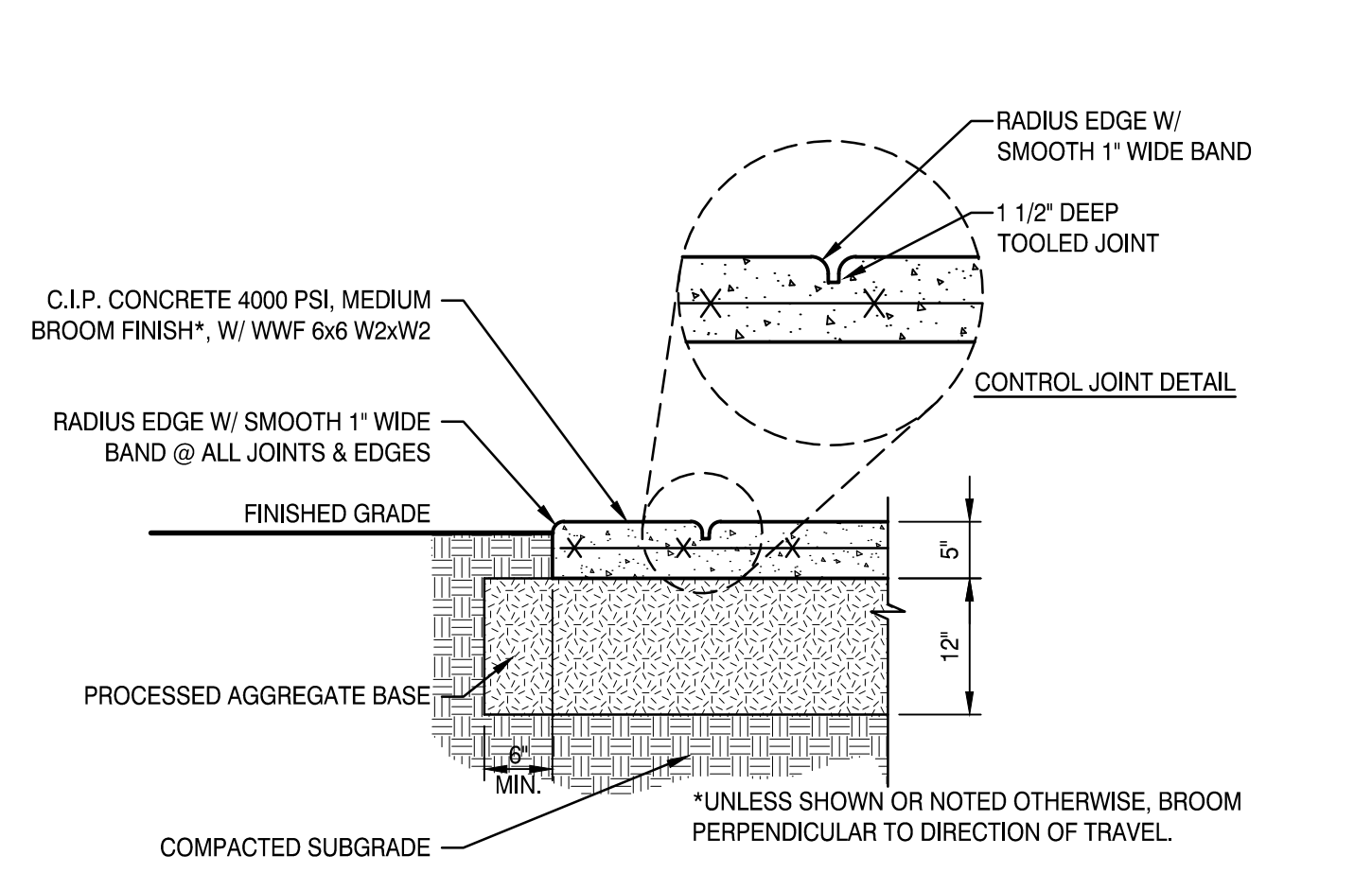
GRANITE TIPDOWN CURB D5
3/4\"/>



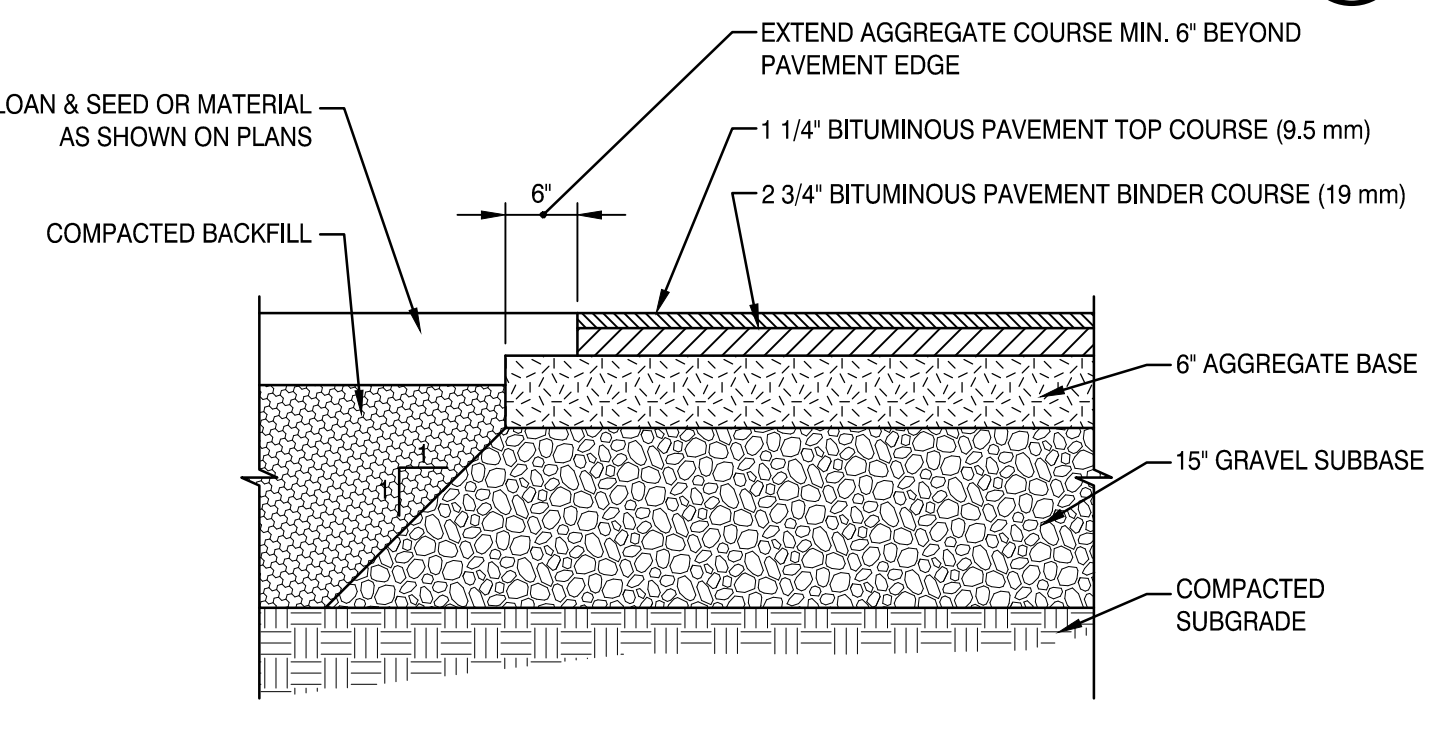
VERTICAL GRANITE CURB A5
3/4\"/>



POROUS PAVEMENT F1
1\"/>



CONCRETE WALK C1
3/4\"/>



BITUMINOUS PAVEMENT A1
NOT TO SCALE

REV	DESCRIPTION	DATE

ISSUED FOR PERMIT

CURRENT ISSUE STATUS:

TRUE NORTH:

SMRT Architects and Engineers
144 Fore Street/P.O. BOX 618
Portland, Maine 04104
1.877.700.7678
www.smrtinc.com

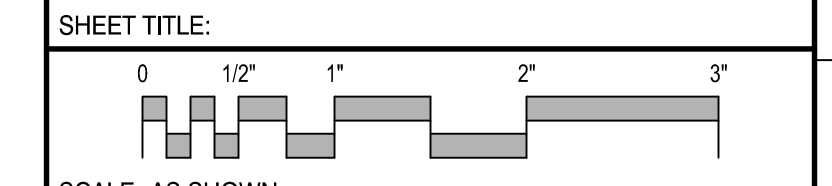
ARCHITECTURE | ENGINEERING | PLANNING | INTERIORS | ENERGY

SMRT

RANSOM Consulting Engineers and Scientists
Ransom Consulting Engineers and Scientists
400 Commercial Street, Suite 400
Portland, Maine 04101

NORDIC AQUAFARMS
285 NORTHPORT AVENUE
BELFAST, MAINE

SITE LAYOUT DETAILS



PROJECT MANAGER: ADB PROJECT NO: 18076
A/E OF RECORD: TL
JOB CAPTAIN: SP
DRAWN BY: WSM
SMRT FILE: CP501-18076 SHEET No. CP501

NOT FOR CONSTRUCTION