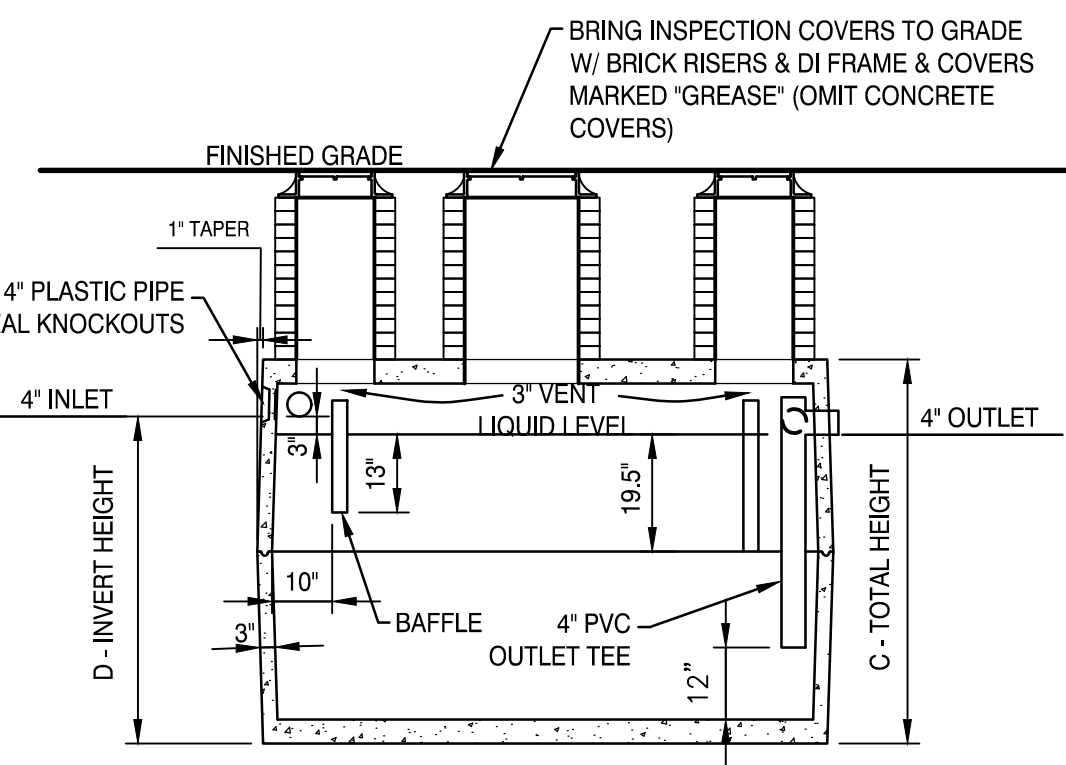
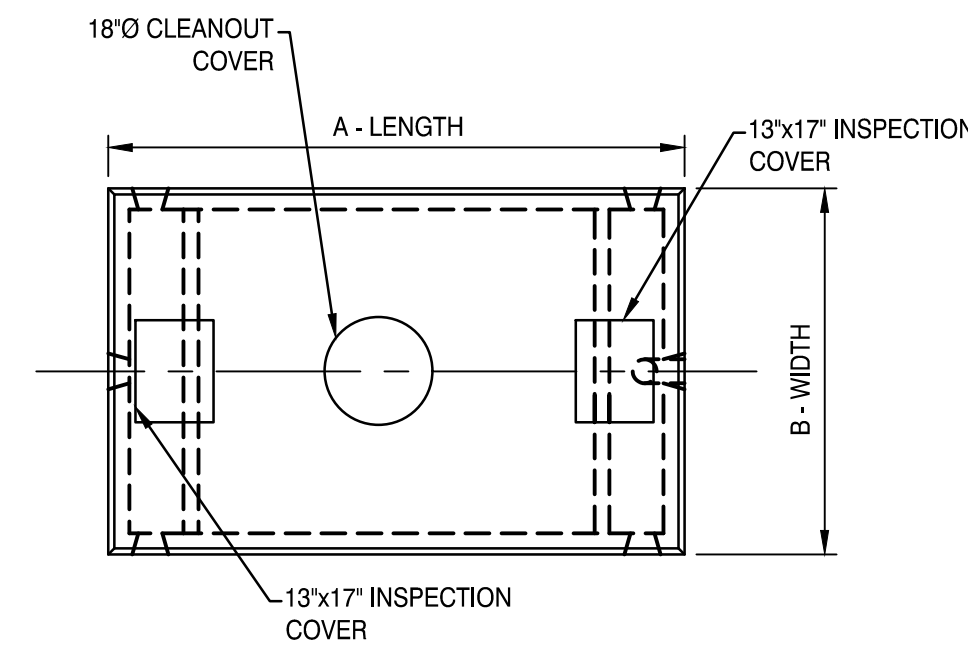
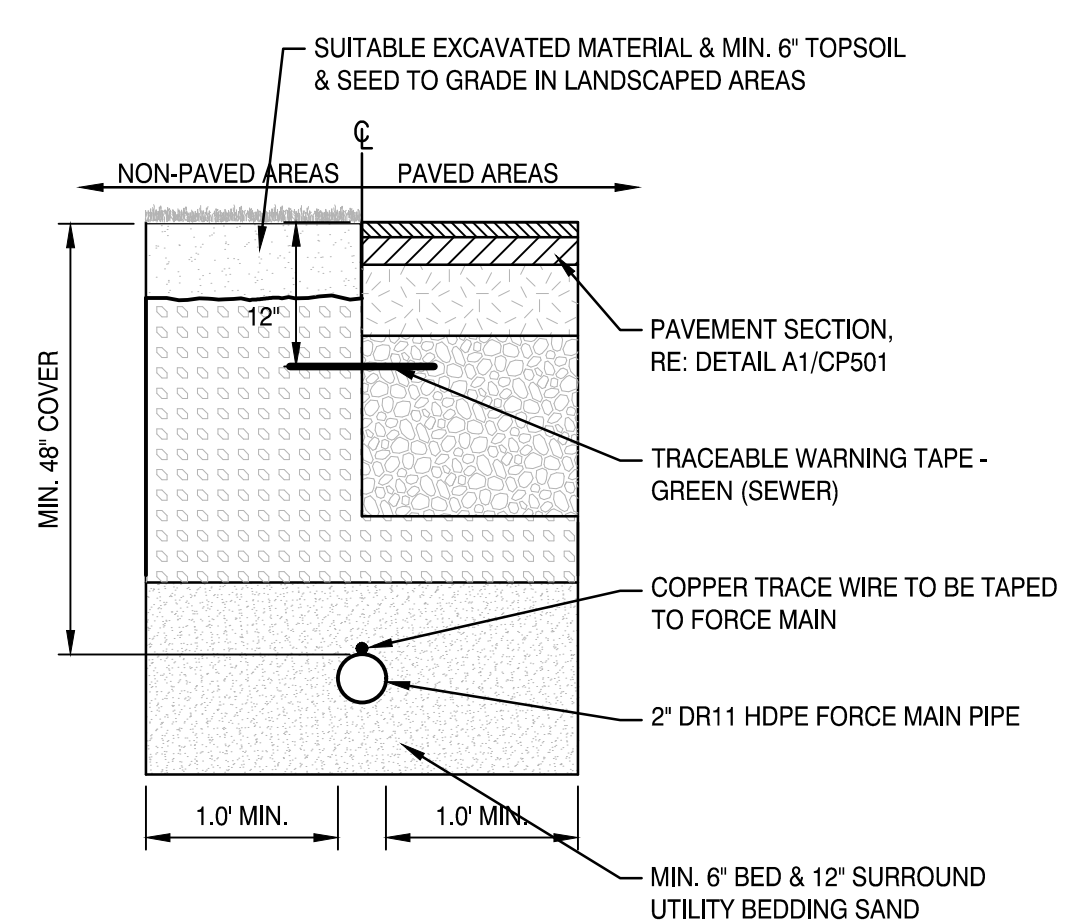


ITEM NO.	LIQUID CAPACITY	A	B	C	D	WEIGHT	
STD.	H.D.	LENGTH	WIDTH	HEIGHT	INVERT	LBS	
1100G	1100H	500	8'-0"	4'-0"	4'-0"	3'-2 1/2"	2,800
1101G	1101H	750	8'-0"	4'-0"	5'-4"	4'-6 1/2"	5,600
1103G	1103H	1000	8'-0"	5'-1"	5'-4"	4'-6 1/2"	8,400
1105G	1105H	1500	10'-6"	6'-4"	5'-4"	4'-5"	11,000
1106G	1106H	2000	10'-6"	6'-4"	6'-2"	5'-3"	12,500

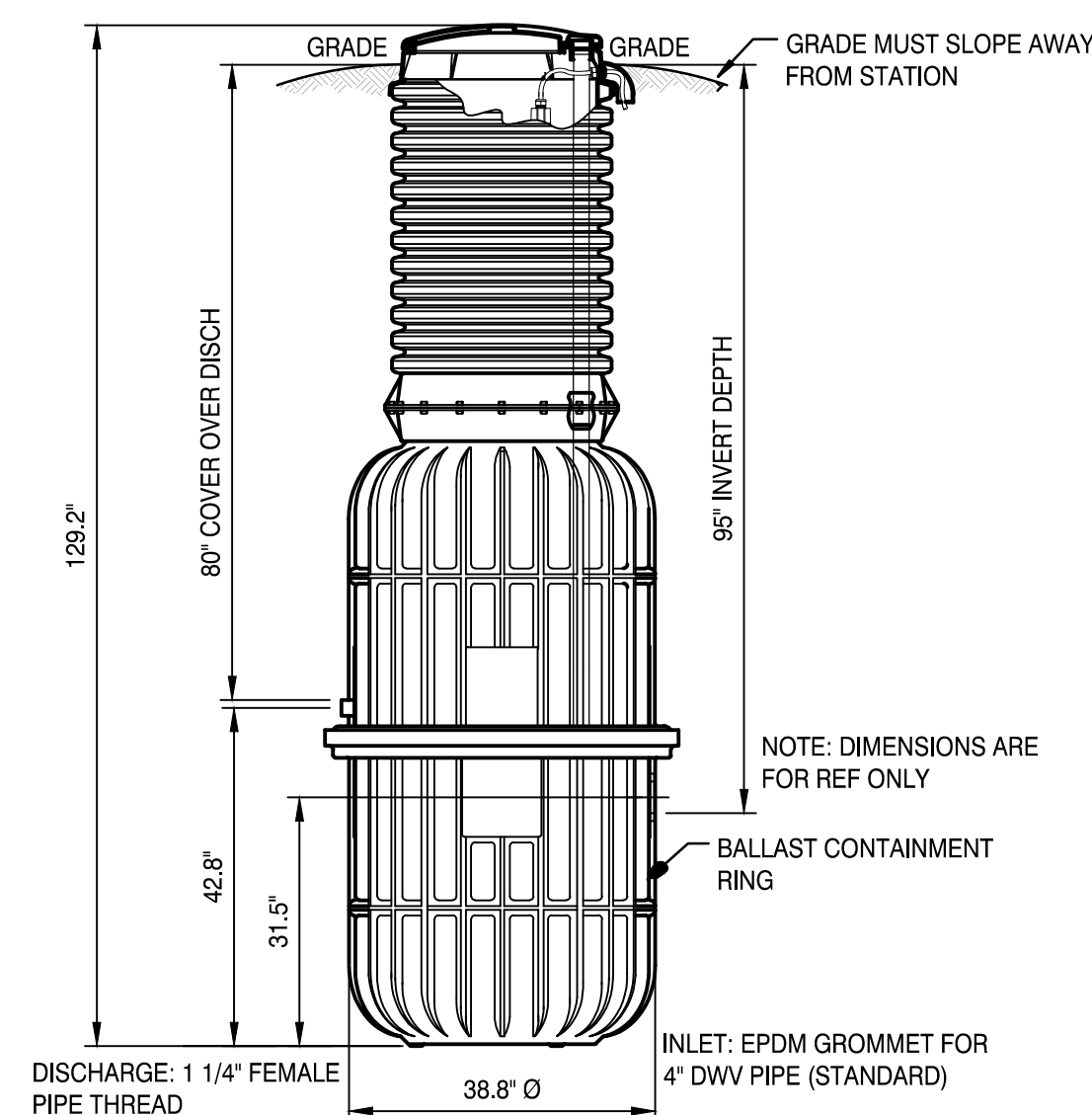


- NOTES:**
- CONCRETE: 4000 PSI AFTER 28 DAYS.
  - REINFORCING: 6x6/10x10 W.W.M. & FIBERS AND LONGER THAN TANK SIZE.
  - HEAVY DUTY GREASE TRAP TOPS REINFORCED WITH 5/8" REBAR @ 12" O.C., EACH WAY.
  - KEYED JOINT SEALED WITH BUTYL RUBBER.
  - EXCAVATION MUST BE AT LEAST 12" WIDER.
  - BRING ALL COVERS TO GRADE WITH RISERS & SET FRAME & COVER FLUSH WITH SURFACE.

**GREASE TRAP (D13)**  
NOT TO SCALE

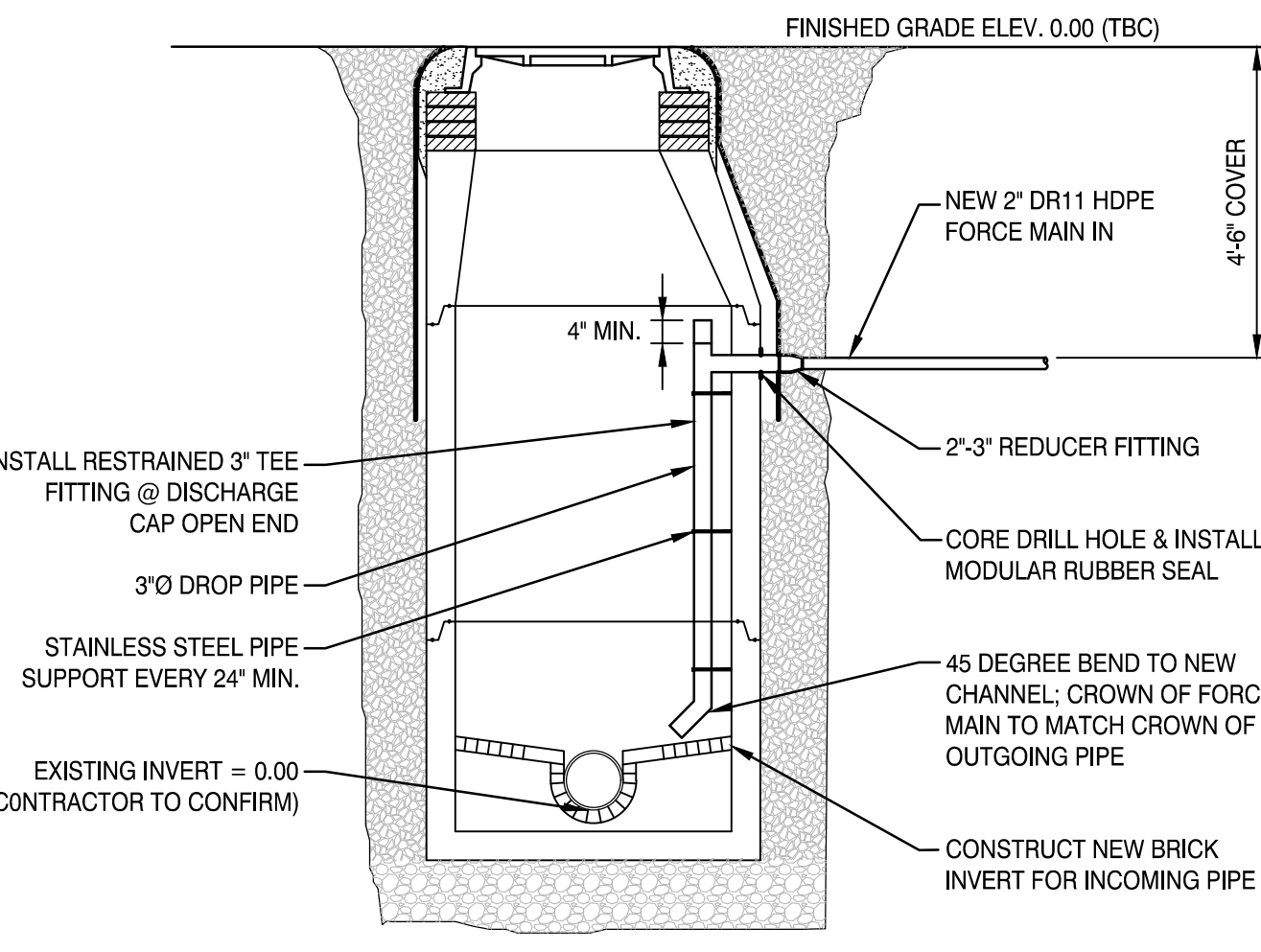


**FORCE MAIN TRENCH (A13)**  
NOT TO SCALE

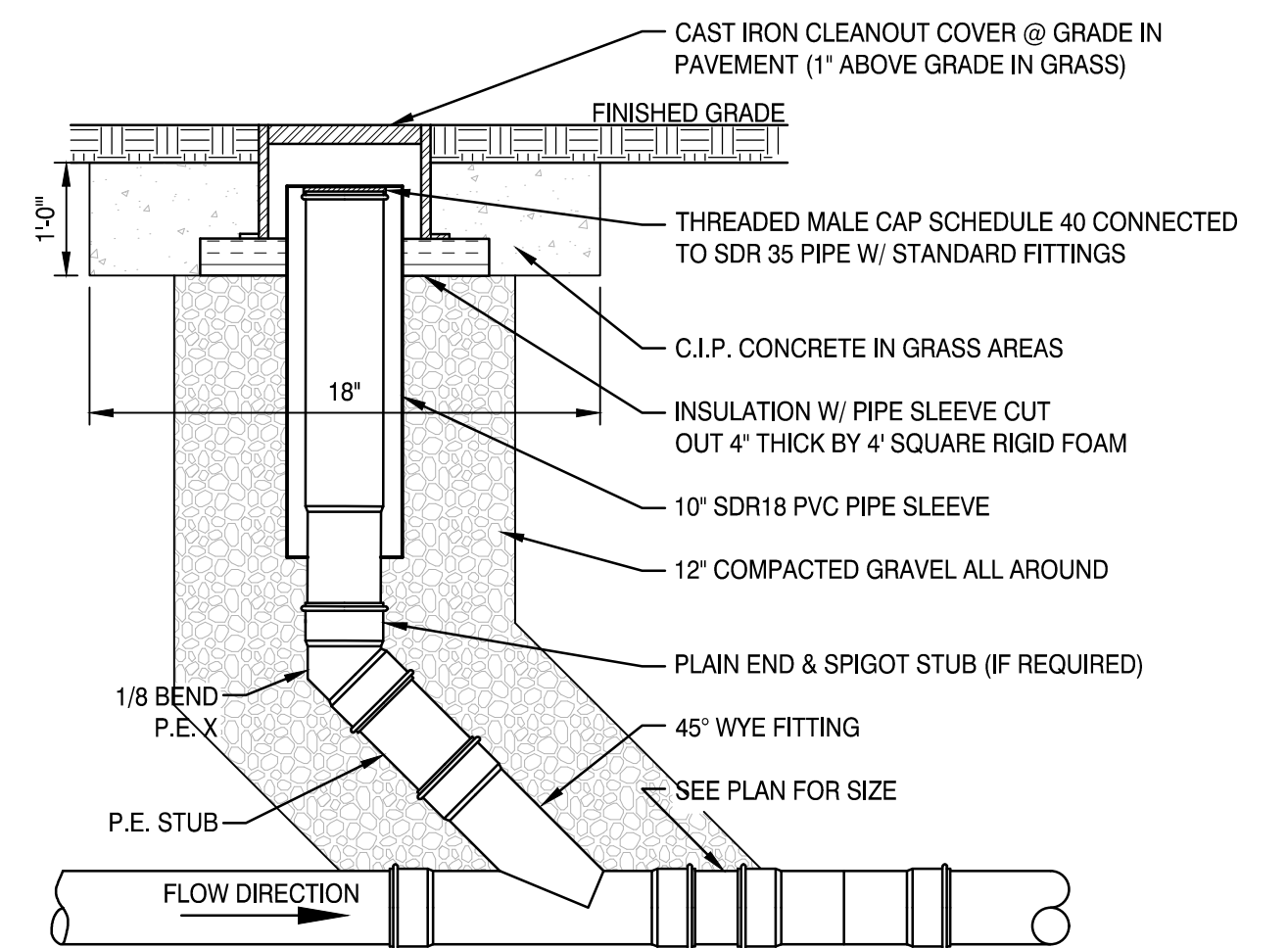


- NOTES:**
- SEWER PUMP STATION SHALL BE ONE DUPLEX PACKAGE SYSTEM - MODEL NUMBER DH152-129. SEE MANUFACTURERS INFORMATION FOR SYSTEM DETAILS AND INSTALLATION INSTRUCTIONS.
- CONCRETE ANCHOR IS REQUIRED - SEE INSTALLATION INSTRUCTIONS FOR DETAILS
- NORTHEAST DISTRIBUTOR:  
F.R. MAHONY & ASSOCIATES  
273 WEYMOUTH STREET  
ROCKLAND, MA 02370  
781-982-9300  
781-982-1056

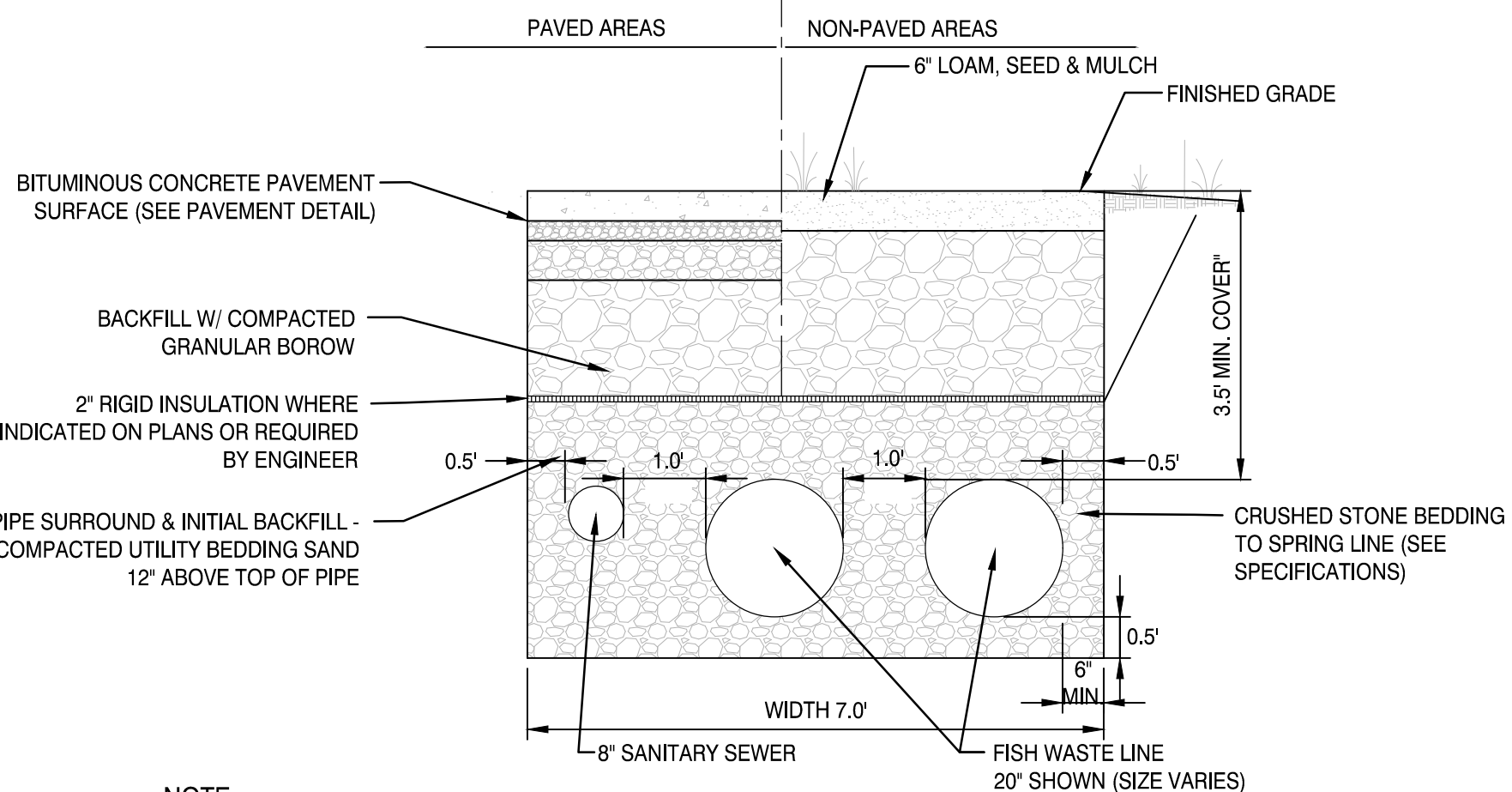
**EONE SEWER PUMP STATION (G9)**  
NOT TO SCALE



**FORCE MAIN DISCHARGE TO MANHOLE (D9)**  
NOT TO SCALE

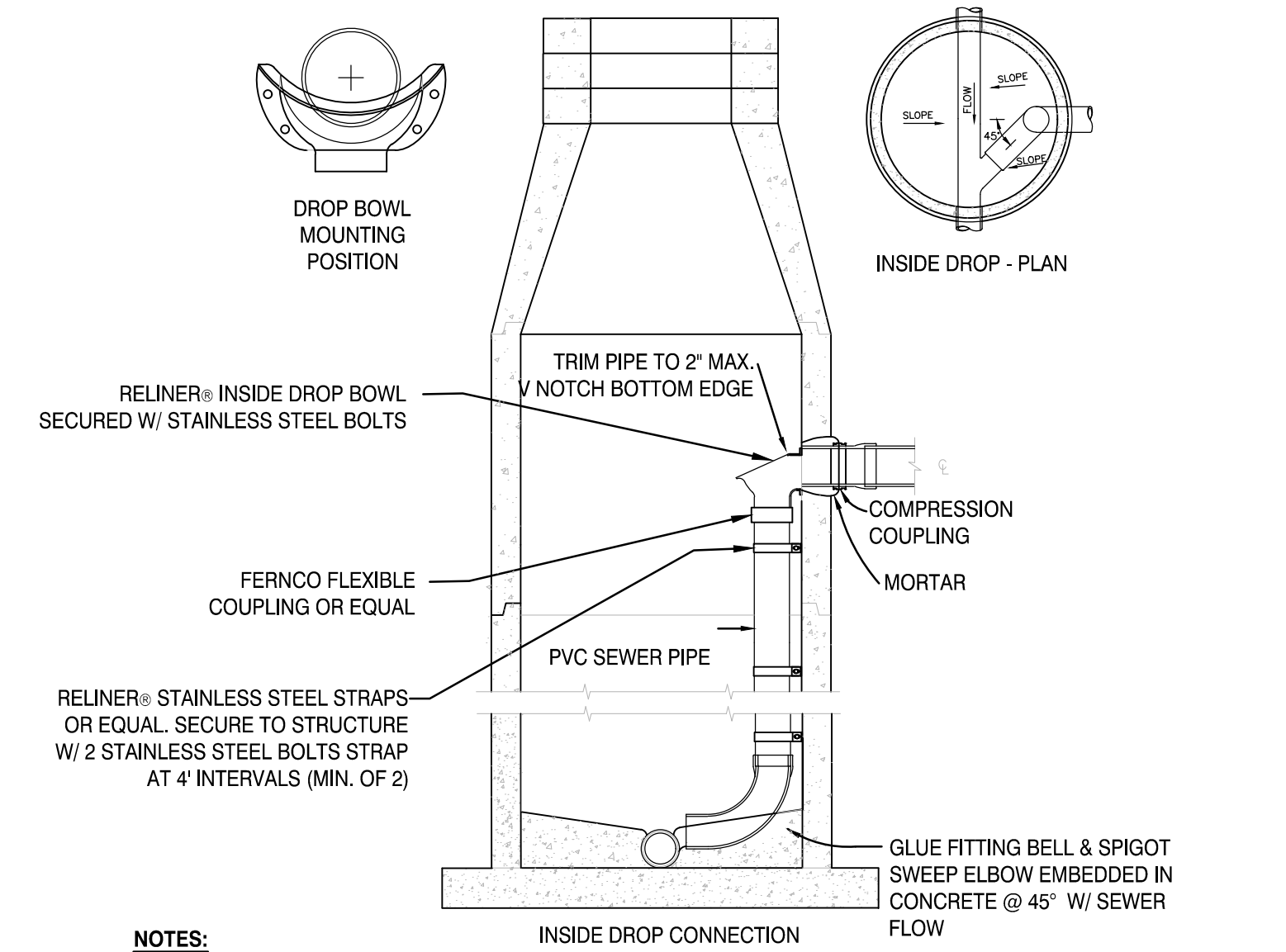


**SANITARY SEWER CLEANOUT (A9)**  
NOT TO SCALE



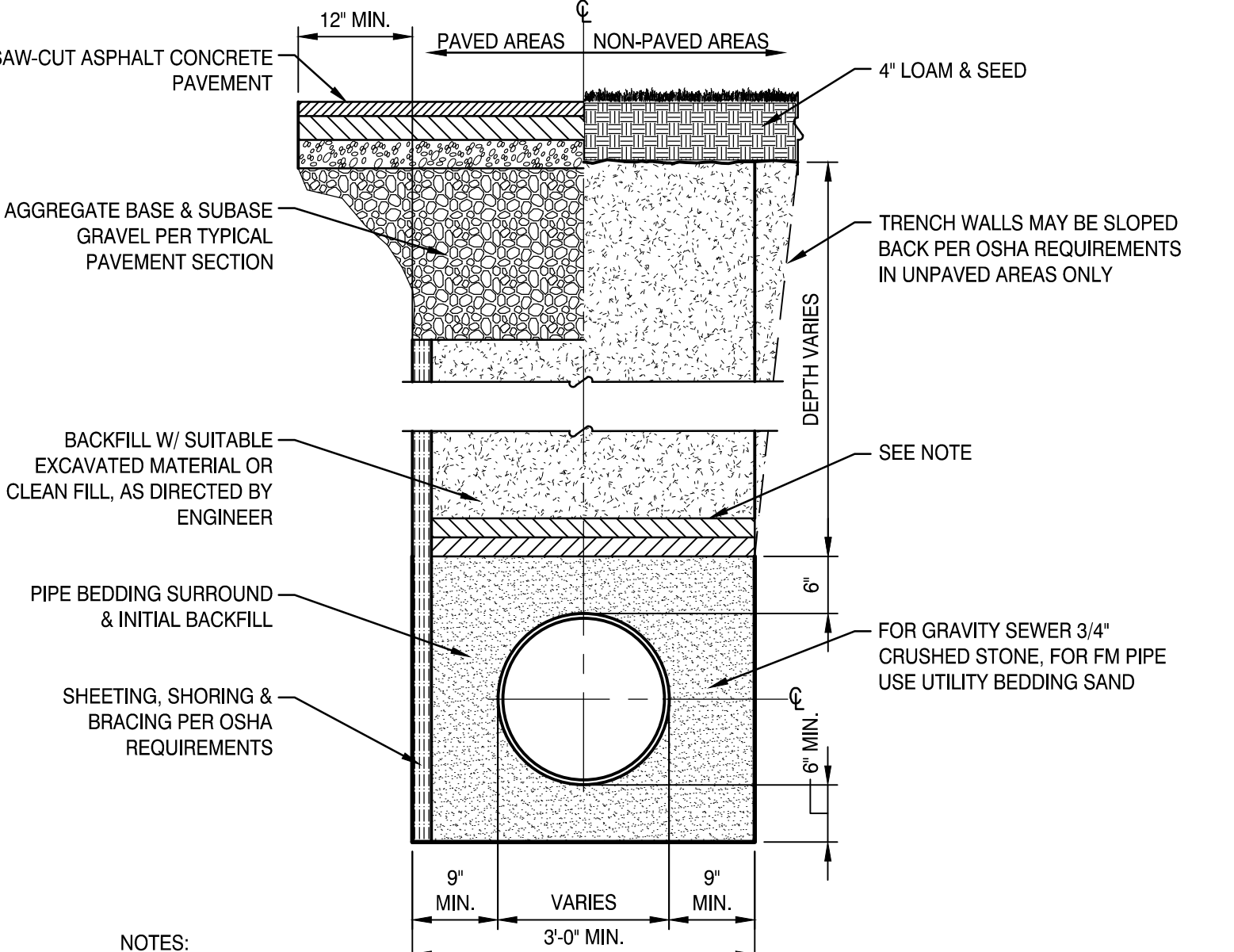
- NOTE:**
- BRACING AND SHEETING OR OTHER TRENCH PROTECTION TO BE PROVIDED TO MEET APPLICABLE STATE AND O.S.H.A. SAFETY STANDARDS. ALL SUCH TRENCH PROTECTION TO BE THE RESPONSIBILITY OF THE CONTRACTOR.

**COMBINED SEWER & WASTE PIPE TRENCH (J5)**  
NOT TO SCALE



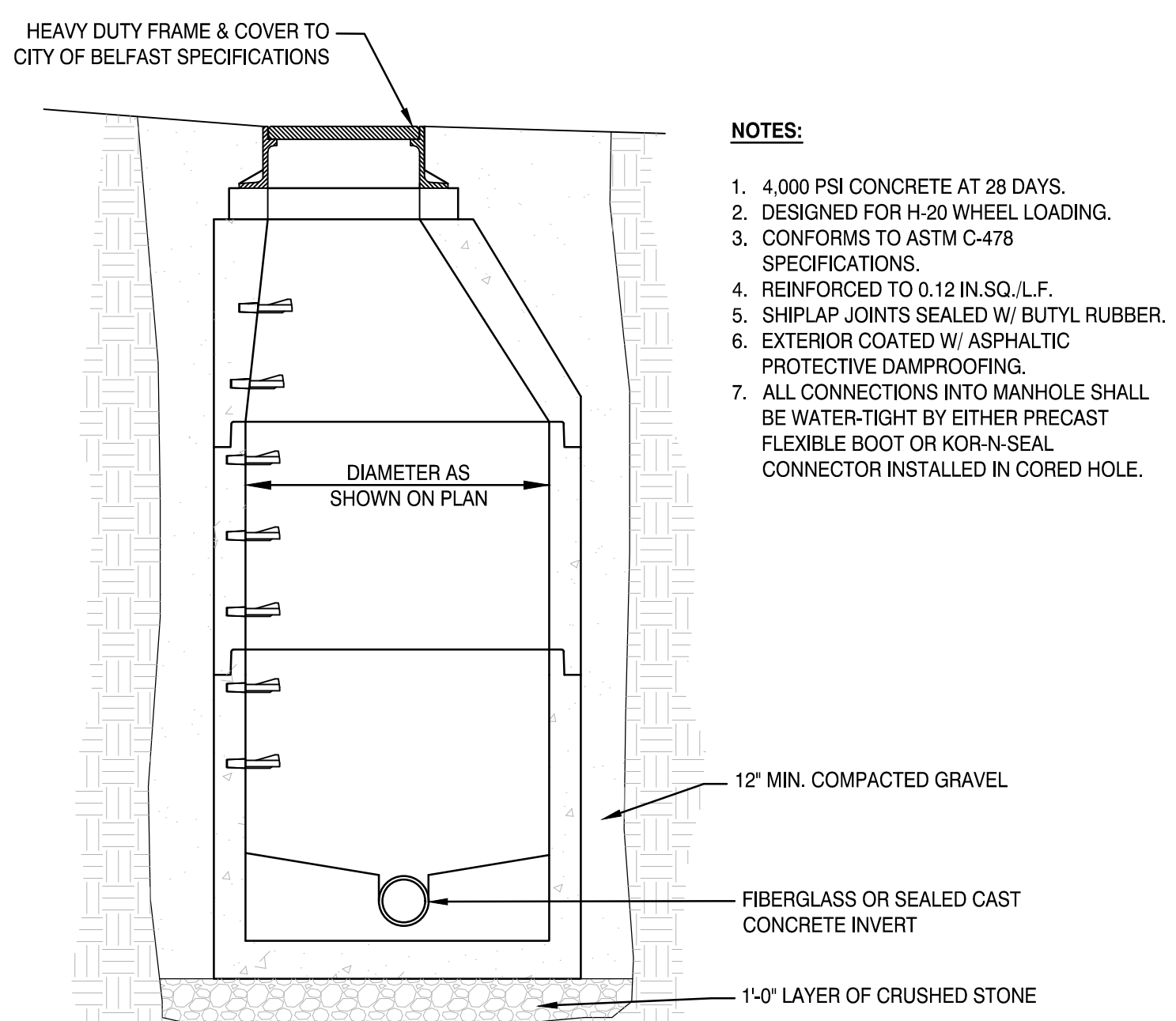
- NOTES:**
- ALL INSIDE DROP CONNECTIONS FOR SERVICES AND COLLECTOR SEWERS SHALL USE THE DROP BOWL AS PRODUCED BY: RELINER-DURAN, INC. 53 MT. ARCHER RD. LYME, CT 06371 (860)434-0277 FAX: (860)434-3195
  - SECURE DROP PIPE TO MANHOLE WALL WITH RELINER-DURAN, INC STAINLESS STEEL ADJUSTABLE CLAMPING BRACKETS.

**INTERNAL DROP MANHOLE (E5)**  
NOT TO SCALE



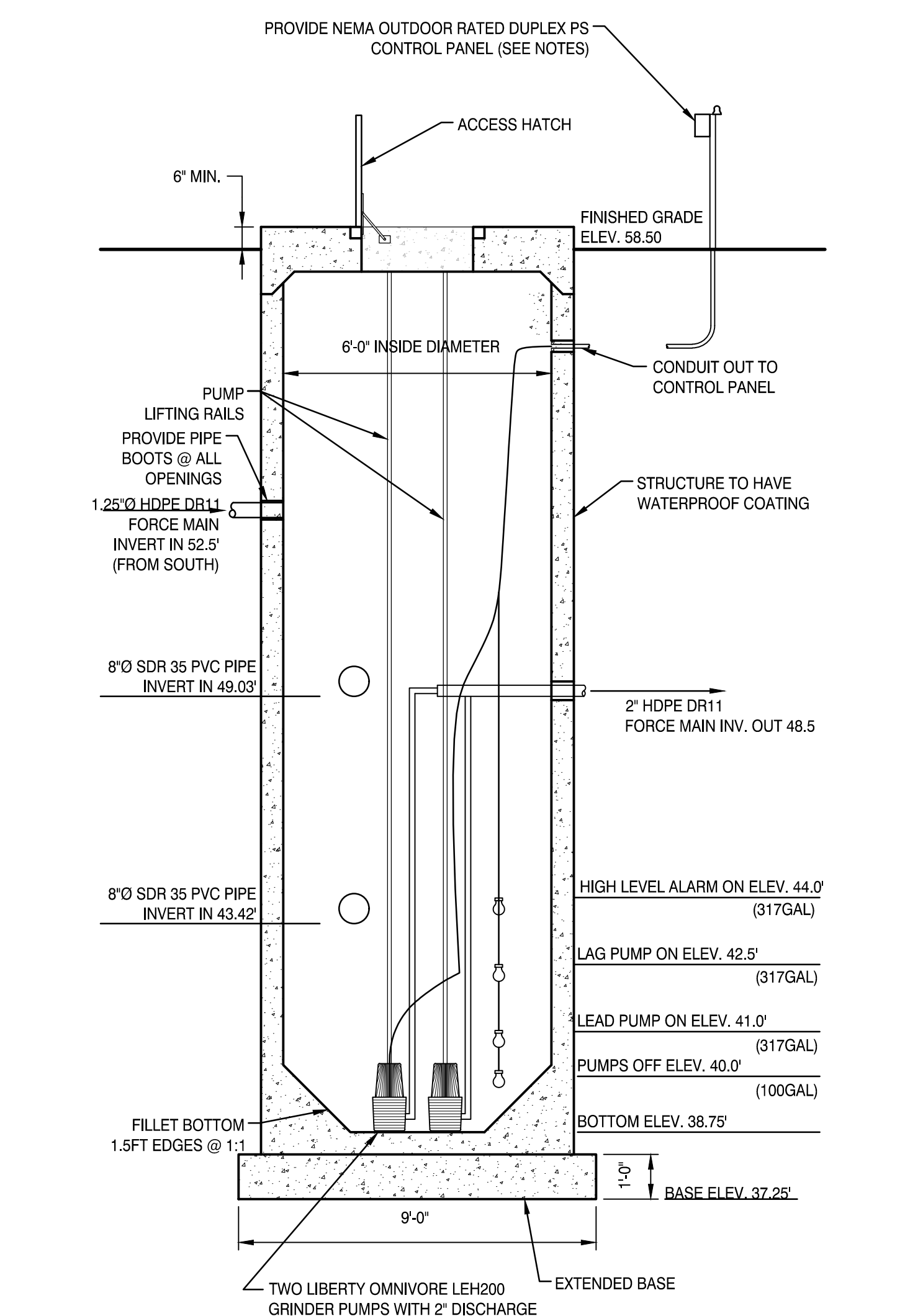
- NOTES:**
- INSULATE GRAVITY SEWER WHERE COVER IS LESS THAN FIVE FEET. USE 2 LAYERS OF 2" THICK RIGID STYROFOAM INSULATION FOR FULL WIDTH OF TRENCH, W/ JOINTS STAGGERED.

**SANITARY SEWER TRENCH (A5)**  
NOT TO SCALE



- NOTES:**
- 4,000 PSI CONCRETE AT 28 DAYS.
  - DESIGNED FOR H-20 WHEEL LOADING.
  - CONFORMS TO ASTM C-478 SPECIFICATIONS.
  - REINFORCED TO 0.12 IN.SQ./L.F.
  - SHIPLAP JOINTS SEALED W/ BUTYL RUBBER.
  - EXTERIOR COATED W/ ASPHALTIC PROTECTIVE DAMPROOFING.
  - ALL CONNECTIONS INTO MANHOLE SHALL BE WATER-TIGHT BY EITHER PRECAST FLEXIBLE BOOT OR KOR-N-SEAL CONNECTOR INSTALLED IN CORED HOLE.

**SEWER MANHOLE (G1)**  
NOT TO SCALE



- NOTES:**
- CONTRACTOR SHALL PROVIDE SHOP DRAWINGS FOR THE PUMP STATION FOR APPROVAL BY THE PROJECT ENGINEER.
  - IN ADDITION TO EXTERNAL AUDIBLE ALARM AND LIGHT, ALARM SHALL REPORT TO BUILDING MECHANICAL ROOM.
  - SEE SPECIFICATIONS FOR PUMP STATION DESIGN REQUIREMENTS.

**SEWER PUMP STATION (A1)**  
NOT TO SCALE

REV	DESCRIPTION	DATE

**ISSUED FOR PERMIT**

CURRENT ISSUE STATUS:

TRUE NORTH:

SMRT Architects and Engineers  
144 Fore Street/P.O. BOX 618  
Portland, Maine 04104  
1.877.700.7678  
www.smrtinc.com

ARCHITECTURE | ENGINEERING | PLANNING | INTERIORS | ENERGY

**RANSOM** Consulting Engineers and Scientists  
Ransom Consulting Engineers and Scientists  
400 Commercial Street, Suite 400  
Portland, Maine 04101

**NORDIC AQUAFARMS**  
285 NORTHPORT AVENUE  
BELFAST, MAINE

**SANITARY SEWER UTILITY DETAILS**

SHEET TITLE:

SCALE: AS SHOWN

PROJECT MANAGER: ADB PROJECT NO: 18076  
A/E OF RECORD: ADJ  
JOB CAPTAIN: SP  
DRAWN BY: WSM  
SMRT FILE: CU501-18076 SHEET No. 24/381

**CU501**

NOT FOR CONSTRUCTION